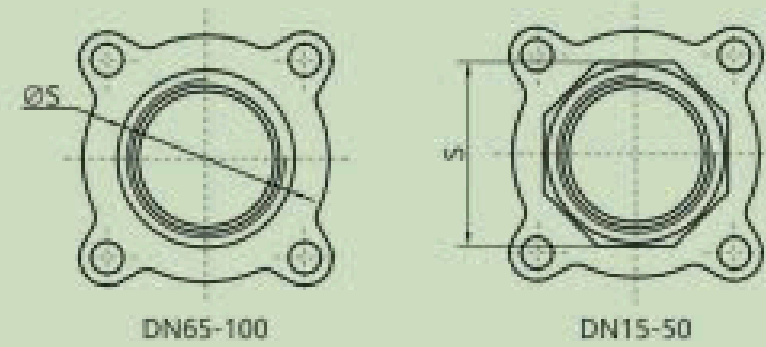
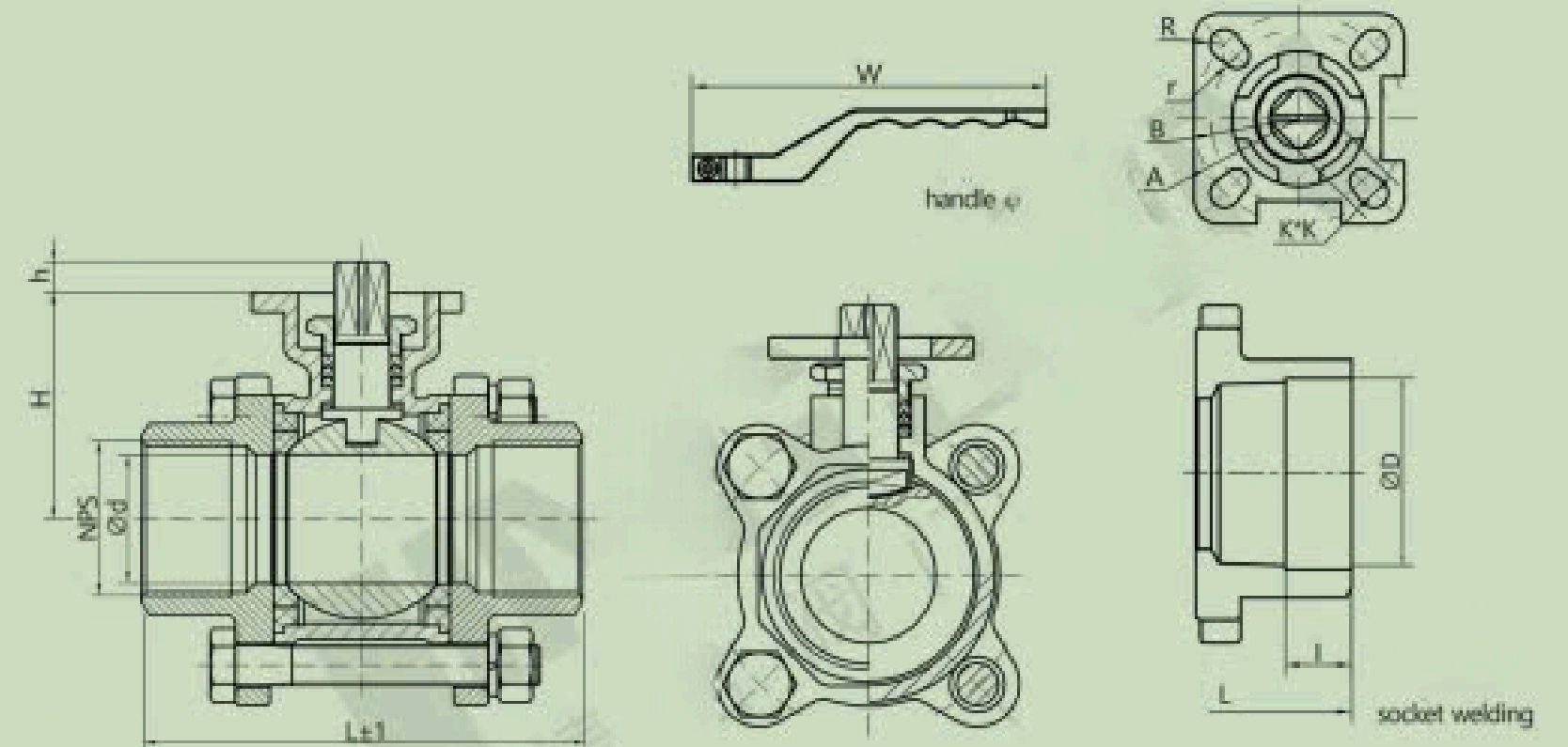
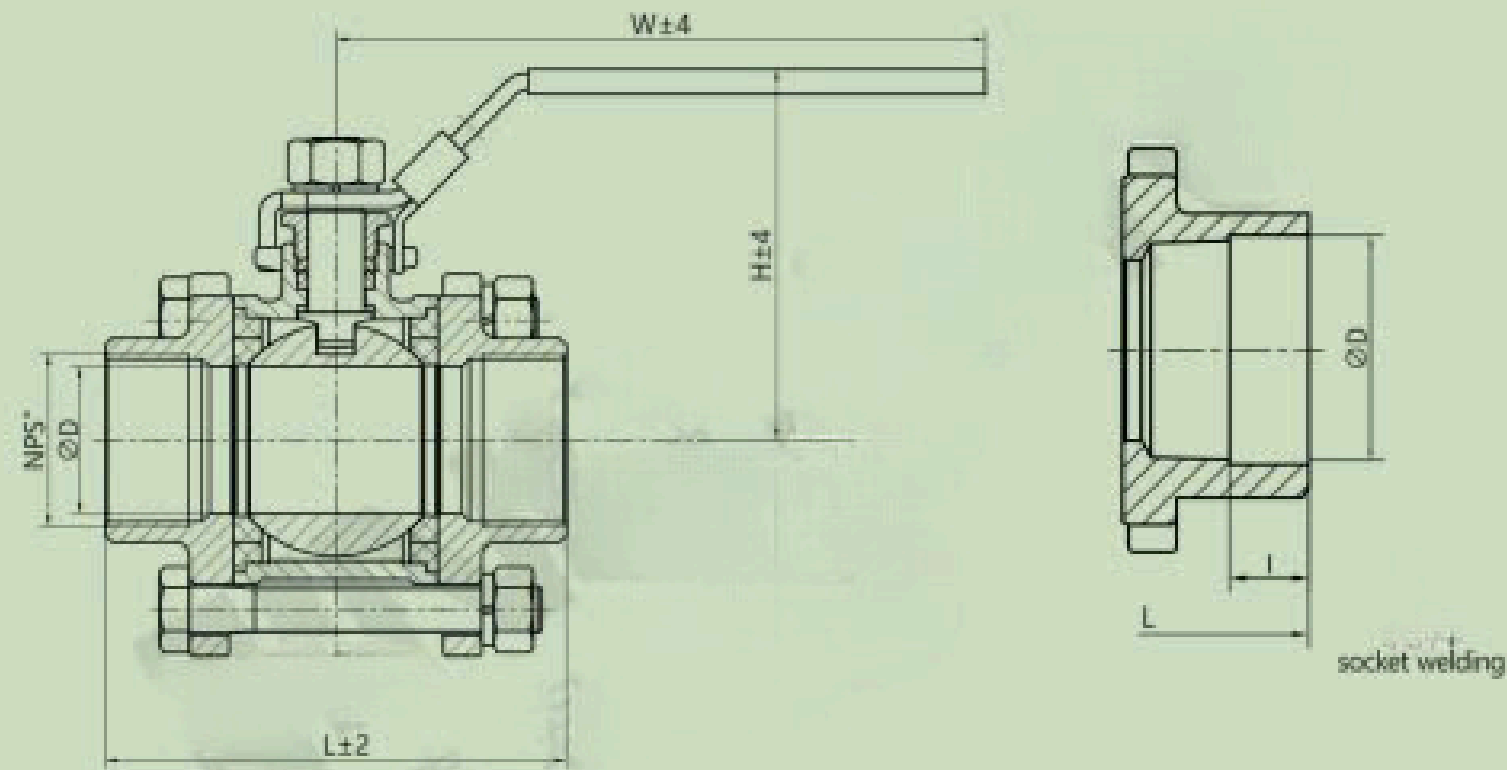


Model: VMIBST



- Technical requirements**
1. The design and manufacture of the valve are in accordance with the regulations of ANSI/ASME B16.34.
 2. The connecting thread of the valve shall be in accordance with ISO 7/1 or ANSI /ASME B1.20.1.
 3. The standard for butt welding ends is in accordance with ASME B16.25/ASTM269 /ISO1127/EN12627
 4. The inspection and test of the valve shall be in accordance with the provisions of API 598.



Dimensions

Unit:mm

NPS	d	S	L	H	W	D	I	
1/2"	DN15	15	27	70	55	105	22.2	9.5
3/4"	DN20	20	32	78	62	110	27.6	12.5
1"	DN25	25	39	86	73	120	34.3	12.5
1 1/4"	DN32	32	49	104	85	135	43.1	12.5
1 1/2"	DN40	38	54	110	90	165	49.2	12.5
2"	DN50	50	67	130	100	170	61.7	16
2 1/2"	DN65	65	87	168	140	200	74.4	16
3"	DN80	78	98	192	145	215	90.3	16
4"	DN100	100	123	235	155	300	115.7	19

Dimensions

Unit:mm

NPS	DN	d	L	H	W	A	B	R	r	K*K	h	D	I
1/2"	15	15	69	37	140	50	42	3.5	3	9*9	10	22.2	9.5
3/4"	20	20	77	45	140	50	42	3.5	3	9*9	10	27.6	12.5
1"	25	25	87	55	170	50	42	3.5	3	11*11	12	34.3	12.5
1 1/4"	32	32	100	60	170	50	42	3.5	3	11*11	12	43.1	12.5
1 1/2"	40	38	106	70	200	70	50	4.5	3.5	14*14	15	49.2	12.5
2"	50	50	130	77	200	70	50	4.5	3.5	14*14	15	61.7	16
2 1/2"	65	65	166	98	300	102	70	5.5	4.5	17*17	18	74.4	16
3"	80	76	193	112	300	102	70	5.5	4.5	17*17	18	90.3	16
4"	100	100	235	140	300	102	70	5.5	4.5	19*19	18	115.7	19