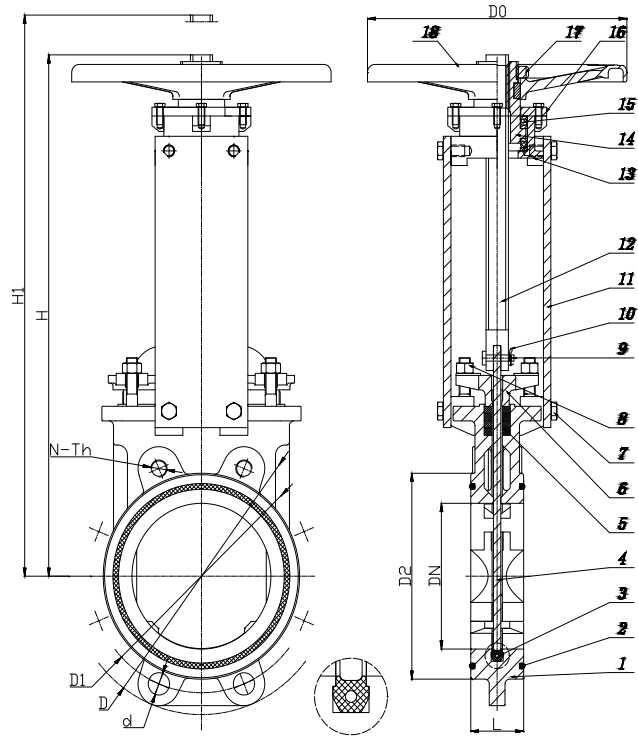


Knife gate valve



- **Type:**
Flange
- **Face to Face:**
API609,BS5155,DIN3202,IS05752
- **Flange:**
DIN,BS,UNI,ISO, ANSI, AS,JIS
- **Mounting Flange:**
ISO5211
- **Working Pressure:**
PN16(200PSI)
- **Appliaction:**
HVAC,Water Supply&Sewage,
Food&Beverage,Chemical/
petrochemical/processing,
Power and Utilities,Paper
and Pulp,Ship Building.



DIMENSIONS:(mm)

| DN | SIZE | | | | | | | | |
|-----|------|-----|-----|-----|-----|--------|-----|-----|------|
| | L | D | D1 | D2 | D0 | N-Th | d | H | H1 |
| 65 | 48 | 185 | 145 | 118 | 180 | 4-M16 | Ø18 | 335 | 415 |
| 80 | 51 | 200 | 160 | 132 | 220 | 8-M16 | Ø18 | 360 | 455 |
| 100 | 51 | 220 | 180 | 156 | 240 | 8-M16 | Ø18 | 400 | 515 |
| 125 | 57 | 250 | 210 | 184 | 240 | 8-M16 | Ø18 | 455 | 595 |
| 150 | 57 | 285 | 240 | 212 | 280 | 8-M20 | Ø23 | 510 | 675 |
| 200 | 60 | 340 | 295 | 266 | 300 | 12-M20 | Ø23 | 585 | 805 |
| 250 | 70 | 405 | 355 | 319 | 320 | 12-M24 | Ø27 | 695 | 965 |
| 300 | 76 | 460 | 410 | 370 | 320 | 12-M24 | Ø27 | 765 | 1085 |

STANDARD MATERIALS OF MAIN PARTS

| NO | PART NAME | MATERIAL |
|----|---------------|--------------|
| 1 | Body | Ductile Iron |
| 2 | Oring | NBR |
| 3 | Sealing | NBR/EPDM |
| 4 | Disc | 316 |
| 5 | Packing | PTFE |
| 6 | Gland | WCB |
| 7 | Bolt | 201 |
| 8 | Nut/Bolt | 201 |
| 9 | Pin | 201 |
| 10 | Split pin | 200 |
| 11 | Yoke | A3 |
| 12 | Stem | 2cr13 |
| 13 | Yoke Head | WCB |
| 14 | Stem Nut | Brass |
| 15 | Bearing | Zchsnsb10-6 |
| 16 | Yoke head cap | WCB |
| 17 | Nut | 201 |
| 18 | Handwheel | Ductile Iron |