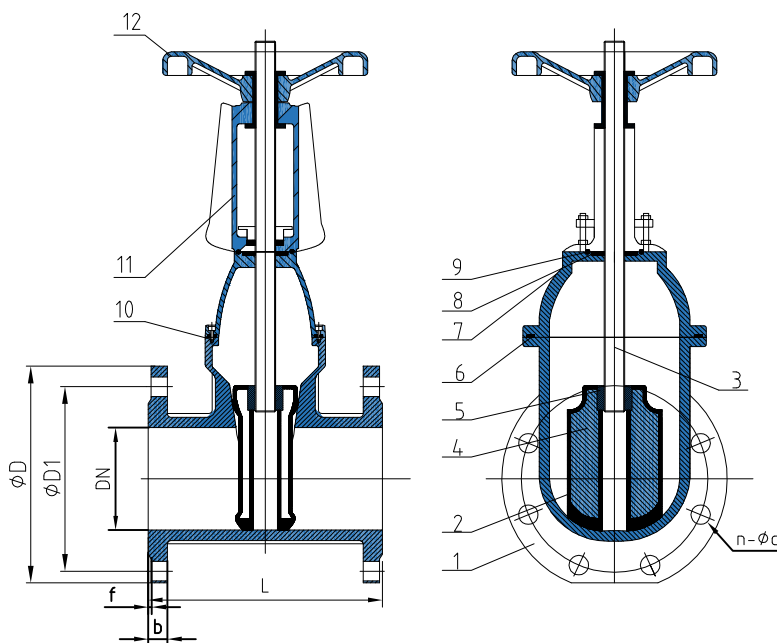


Rising Stem Resilient Seated Gate Valve



- **Type:** Flange
- **Face to Face:** API609, BS5155, DIN3202, ISO5752
- **Flange:** DIN, BS, UNI, ISO, ANSI, AS, JIS
- **Mounting Flange:** ISO5211
- **Working Pressure:** PN16(200PSI)
- **Application:** HVAC, Water Supply & Sewage, Food & Beverage, Chemical/ petrochemical/processing, Power and Utilities, Paper and Pulp, Ship Building.

STANDARD MATERIALS OF MAIN PARTS

ITEM	PART NAME	MATERIAL
1	Body	Ductile Iron
2	Seat	EPDM
3	Shaft	SS420
4	Disc	Ductile Iron
5	Wedge Nut	Brass
6	Bonnet Gasket	EPDM
7	Bonnet	Ductile Iron
8	Packing	Flexible Graphite
9	Sealing ring	EPDM
10	Socket head screw	SS
11	Yoke	Ductile Iron
12	Hand Wheel	Ductile Iron

DIMENSIONS:(mm)

SIZE		L			PN16			PN10			JIS 10K			ANSI 150			b	f	
in	DN	F4	F5	BS5163	D	D1	n-Ød	D	D1	n-Ød	D	D1	n-Ød	D	D1	n-Ød			L
2	50	150	250	178	165	125	4-19	165	125	4-19	155	120	4-19	150	120.5	4-19	178	19	3
2.5	65	170	270	190	185	145	4-19	185	145	4-19	175	140	4-19	180	139.5	4-19	190	19	3
3	80	180	280	203	200	160	8-19	200	160	8-19	185	150	4-19	190	152.5	4-19	203	19	3
4	100	190	300	229	220	180	8-19	220	180	8-19	210	175	8-19	230	190.5	8-19	229	19	3
5	125	200	325	254	250	210	8-19	250	210	8-19	250	210	8-23	255	216	8-22	254	19	3
6	150	210	350	267	265	240	8-23	285	240	8-23	280	240	8-23	280	241.5	8-22	267	19	3
8	200	230	400	292	340	295	12-23	340	295	8-23	330	290	12-23	345	298.5	8-22	292	20	3
10	250	250	450	330	405	355	12-28	395	350	12-23	400	355	12-25	405	362	12-25	330	22	3
12	300	270	500	356	460	410	12-28	445	400	12-23	445	400	16-25	485	432	12-25	356	24.5	4
14	350	290	550	381	520	470	16-28	505	460	16-23	490	445	16-25	535	476	12-29	381	26.5	4
16	400	310	600	406	580	525	16-31	585	515	16-28	560	510	16-27	595	540	16-29	406	28	4
18	450	330	650	432	640	585	20-31	615	565	20-28	620	565	20-27	635	578	16-32	432	30	4
20	500	350	700	457	715	650	20-34	670	620	20-28	675	620	20-27	700	635	20-32	457	31.5	4
24	600	390	800	508	840	770	24-37	780	725	20-31	795	730	24-33	815	749.5	20-35	508	36	5
28	700	430	900	610	910	840	24-37	895	840	24-31	905	840	24-33	925	863.5	28-35	610	39.5	5
32	800	470	1000	660	1025	950	24-41	1015	950	24-34	1020	950	28-33	1060	978	28-41	660	43	5
36	900	510	1100	711	1125	1050	28-41	1115	1050	28-34	1120	1050	28-33	1170	1086	32-41	711	46.5	5
40	1000	550	1200	813	1255	1170	28-44	1230	1160	28-37	1235	1160	28-39	1290	1200	36-41	813	50	5
48	1200	630	-	-	1485	1390	32-50	1455	1380	32-41	1465	1380	32-39	1510	1422.5	40-41	-	57	5