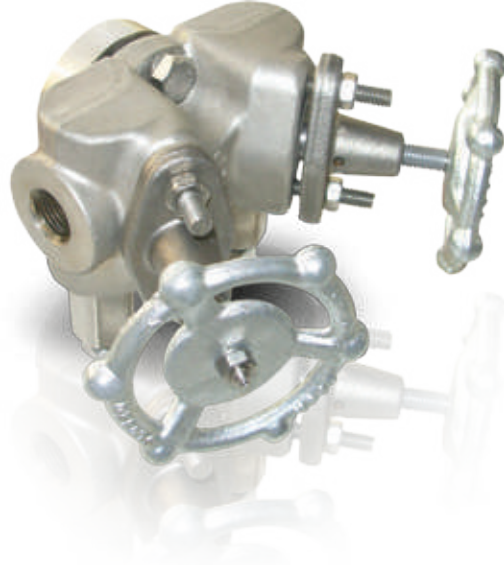
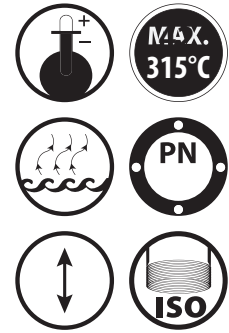


Steam Trap Valve Station

BK-33/TD (THERMODYNAMIC)



Scan this QR Code



DESIGN

Product Features

| | |
|---------------|--------------------------|
| Body | Stainless Steel AISI 304 |
| Seat and Disc | Stainless Steel AISI 420 |
| Internals | Stainless Steel |
| Hand Wheel | Carbon Steel |
| Connections | Threaded, Socket |

Operating Conditions

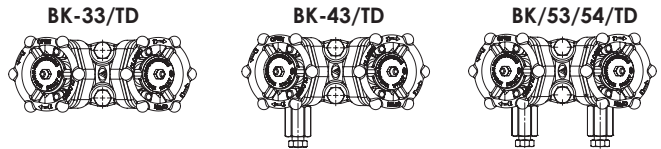
| | |
|-------------------------|----------------|
| Max. Operating Pressure | 42 bar (250°C) |
| Max. Operating Temp. | 315°C |

Operation

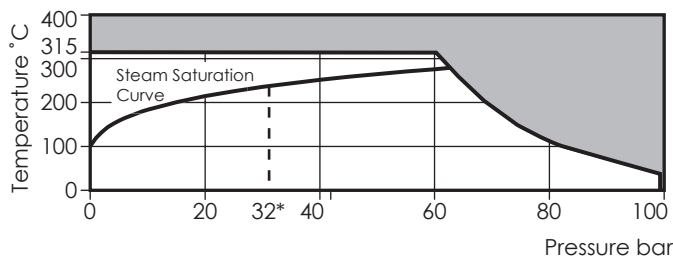
In operating conditions, opposite pressure should not exceed the 80% of the front pressure. According to condensate load, BK-33 TD may discharge intermittently. Designed for the steam pressure up to 42 bar and quick discharging. BK-33TD can easily be disassembled individually and be maintained.

Installation

BK-33 TD, thermodynamic steam trap can easily be installed to the pipe connector. Ideally, steam trap should be installed on a horizontal pipeline. The flow through the pipe connector should be in the arrow direction. The connection distance of the steam trap must be on the horizontal plate.



Pressure and Temperature Limitations

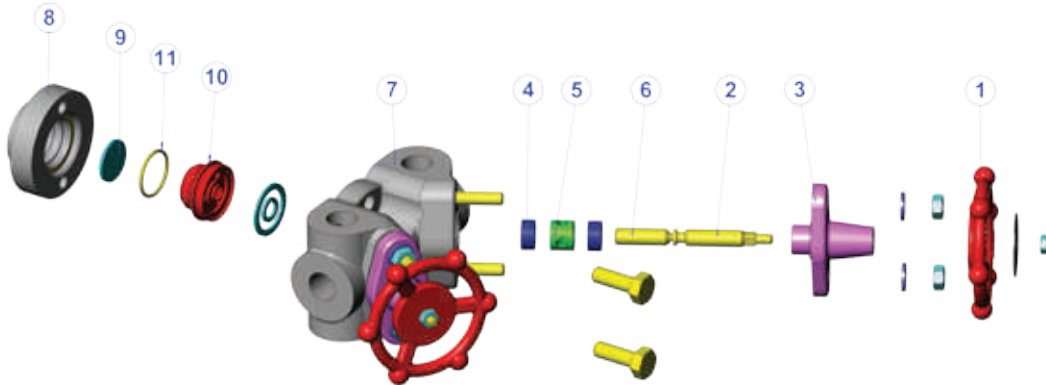


| Type | Definition | Flow Direction |
|----------|---|----------------|
| BK-33 TD | Pipe connector with 2 stop valves + Thermodynamic steam trap | Left to right |
| BK-43 TD | Pipe connector with 2 stop valves + Thermodynamic steam trap + Discharging valve | Left to right |
| BK-53 TD | Pipe connector with 2 stop valves + Thermodynamic steam trap + Discharging valve + Test valve | Left to right |
| BK-54 TD | Pipe connector with 2 stop valves + Thermodynamic steam trap + Discharging valve + Test valve | Right to left |

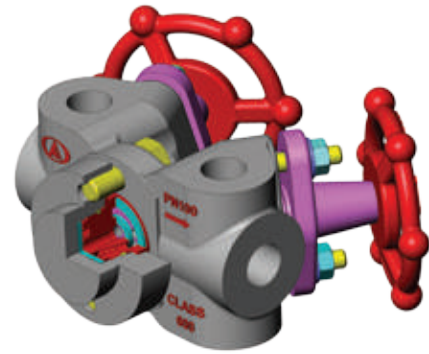
PIPELINE CONNECTORS

BK-33/TD (THERMODYNAMIC)

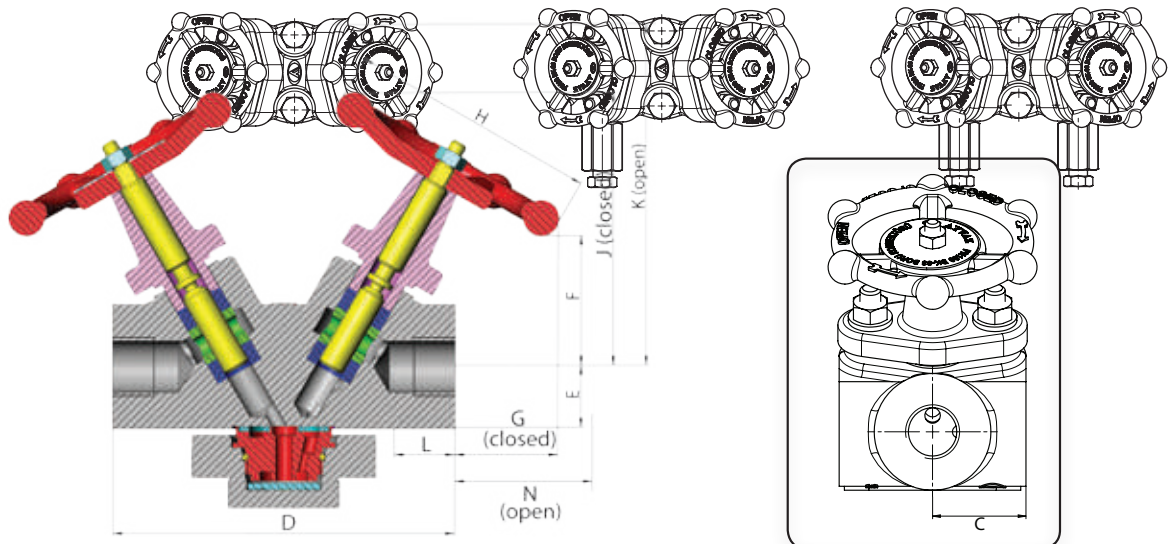
Construction



| Part list | | |
|-----------|-------------|---------------------------|
| No | Part Name | Material |
| 1 | Hand Wheel | Carbon Steel C 22.8 |
| 2 | Steam-A | Stainless Steel AISI 304 |
| 3 | Cover | Carbon Steel C 22.8 |
| 4 | Stem Gasket | Graphite |
| 5 | Bearing | Carbon Steel St 37.2 |
| 6 | Stem-B | Stainless Steel AISI 304 |
| 7 | Body | Stainless Steel AISI 304L |
| 8 | Seat Guide | Stainless Steel AISI 304 |
| 9 | Disc | Stainless Steel AISI 420 |
| 10 | Seat | Stainless Steel AISI 420 |
| 11 | O-ring | Silicone |



Dimensions



| Size | BK-33 SK | BK-43 SK | BK-53 SK | BK-54 SK | THREADED | | | | | | | | | |
|------|--------------|--------------|--------------|--------------|----------|--------|--------|--------|--------|--------|--------|--------|--------|--------|
| | | | | | C (mm) | D (mm) | E (mm) | F (mm) | G (mm) | H (mm) | J (mm) | K (mm) | L (mm) | N (mm) |
| 1/2" | 703450214111 | 703450224111 | 703450234111 | 703450244111 | 36 | 125 | 25 | 50 | 35 | 90 | 99 | 115 | 22 | 50 |
| 3/4" | 703450214112 | 703450224112 | 703450234112 | 703450244112 | 36 | 125 | 25 | 50 | 35 | 90 | 99 | 115 | 22 | 50 |

All the dimensions in the table are given in "mm".

Subject to technical alterations and deviations resulting from the manufacturing process without giving any notification.