



PTY-30 STRAINERS

GENERAL FEATURES

AYVAZ Y Type Strainers have a wide range of applications to filter foreign materials in pipelines. The Ayvaz PTY-30 extends the other equipment's lifetime and helps their operations.

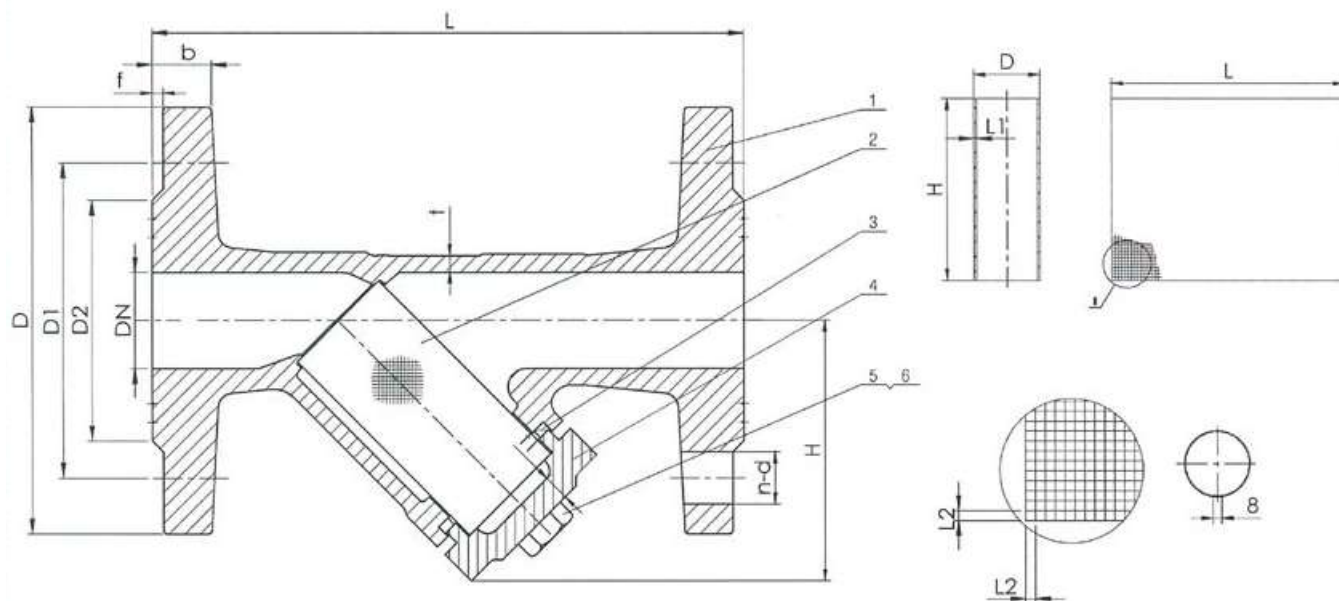
Applications

Steam, water, compressed air, gas, oil, chemical fluids.

Body and Cover	: Ductile Iron
Filter	: AISI 304 Stainless Steel
Gasket	: Graphite
Connection	: Flanged
Max. Working Temp.	: 200 °C
Max. Working Pressure	: 16 bar

PTY-30 STRAINERS

DN15-32



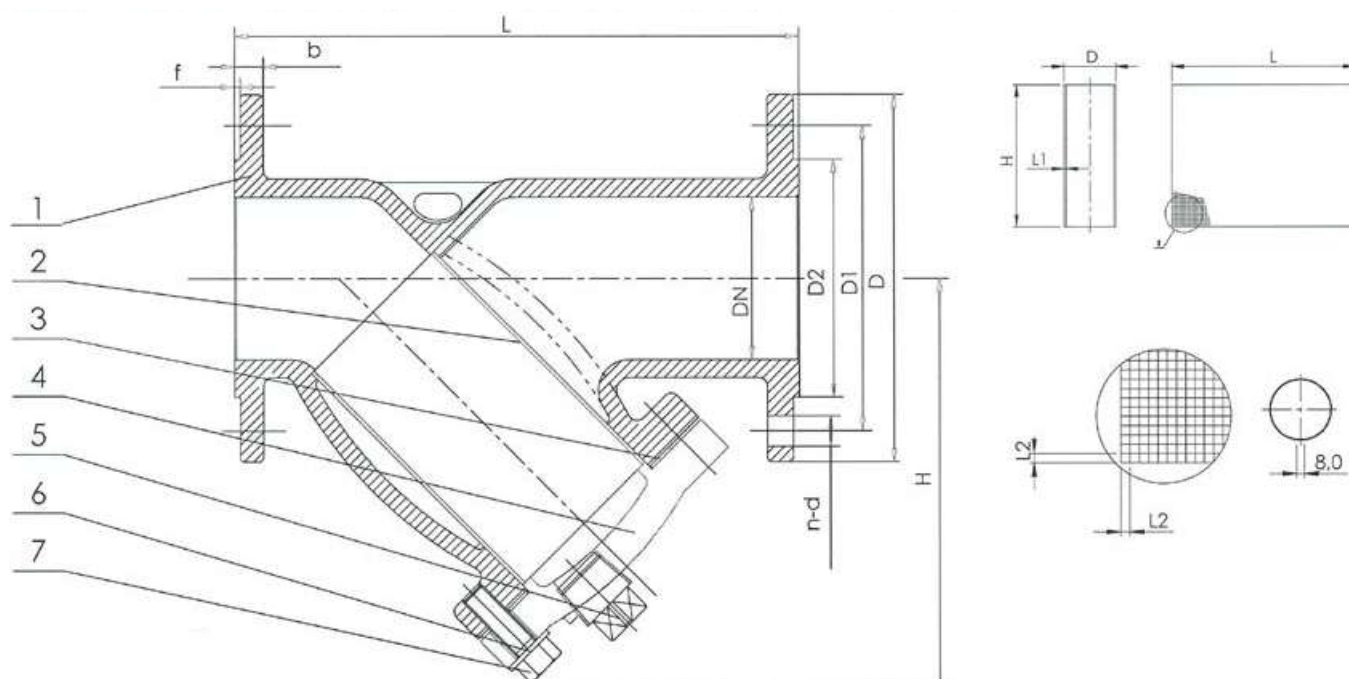
DN	PN	L(mm)	D (mm)	D1 (mm)	D2 (mm)	b (mm)	n- ϕ d (mm)	f (mm)	H (mm)	kg
15	16	130 \pm 2	95	65	45	14	4- ϕ 14	2	59	1.8
20	16	150 \pm 2	105	75	56	16	4- ϕ 14	2	68	2.6
25	16	160 \pm 2	115	85	65	16	4- ϕ 14	3	70	3
32	16	180 \pm 2	140	100	76	18	4- ϕ 19	3	86	4.8

Dia.	Filter Dimensions (mm)				
	L	H	D	L1	L2
DN15	70,8	55 +0.5/0	ϕ 20 0/-0.5	0,8	1
DN20	85	62+0.5/0	ϕ 27 0/-0.5	0,8	1
DN25	100,5	64+0.5/0	ϕ 32 0/-0.5	0,8	1
DN32	110	79+0.5/0	ϕ 35 0/-0.5	0,8	1

No	Part	Material
1	Body	Ductile Iron
2	Filter	AISI 304 Stainless Steel
3	Gasket	Graphite
4	Cover	Ductile Iron
5	Bolt	Carbon Steel Zinc Plated
6	Flat Washer	Carbon Steel Zinc Plated

PTY-30 STRAINERS

DN100



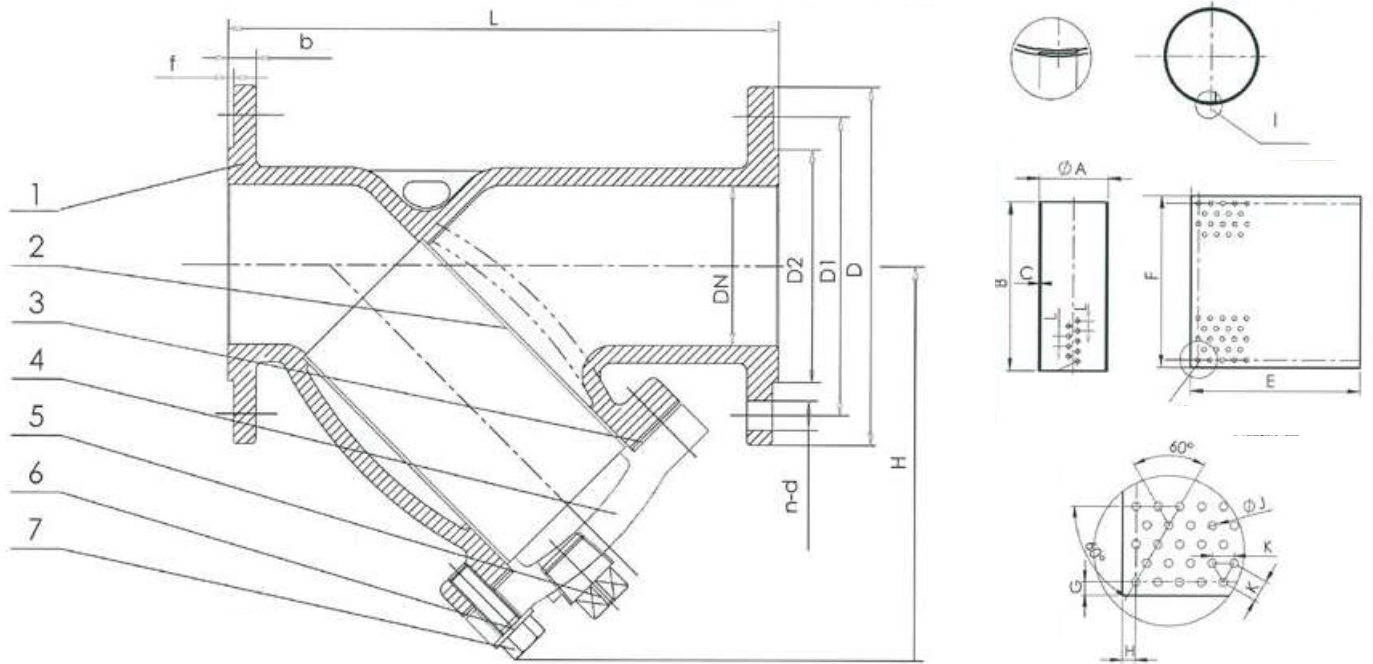
DN	PN	L(mm)	D(mm)	D1(mm)	D2(mm)	b(mm)	n-ød(mm)	f(mm)	H(mm)	kg
100	16	350±2	220	180	156	19	8-ø19	3	229	19,5

Dia.	Filter Dimensions (mm)				
	L	H	D	L1	L2
DN100	340	176 0/0-0.5	ø106 0/-0.5	1	1,5

No	Part	Material
1	Body	Ductile Iron
2	Filter	AISI 304 Stainless Steel
3	Gasket	Graphite
4	Cover	Ductile Iron
5	Plug	Malleable Iron Galvanized
6	Flat Washer	Carbon Steel Zinc Plated
7	Bolt	Carbon Steel Zinc Plated

PTY-30 STRAINERS

DN125-300



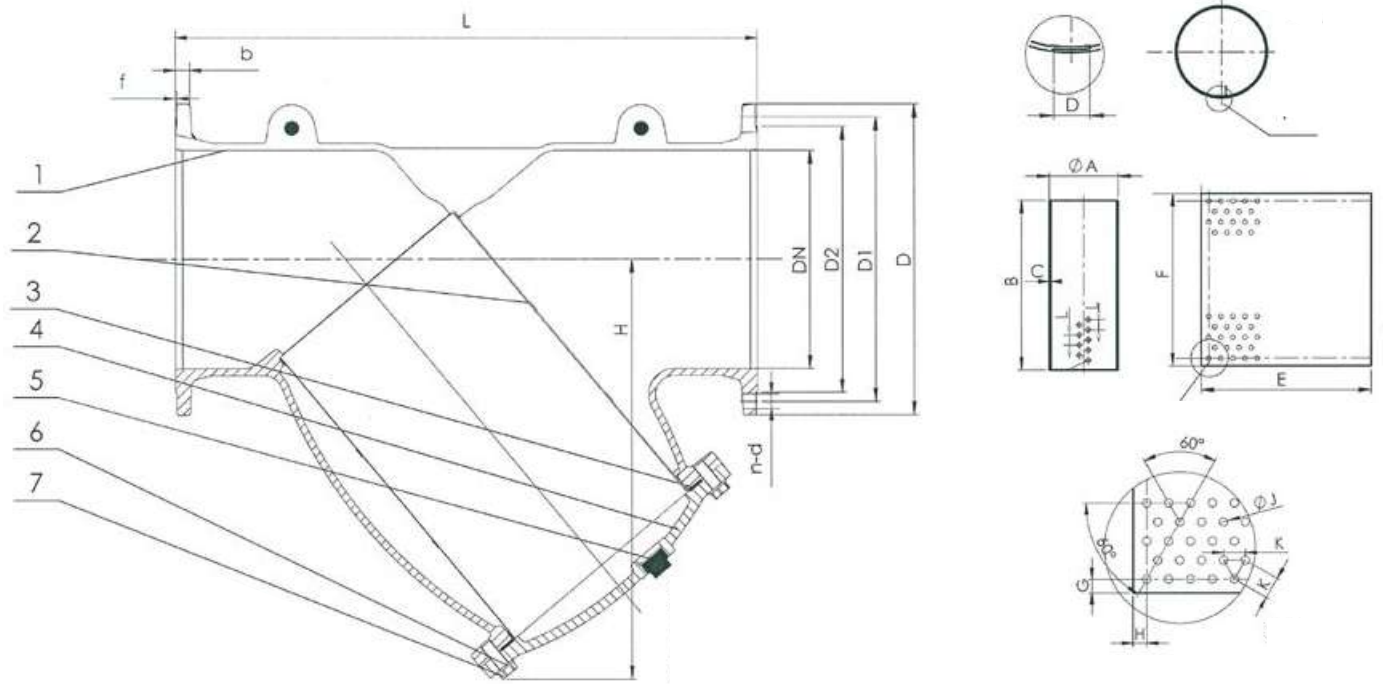
DN	PN	L(mm)	D(mm)	D1(mm)	D2(mm)	b(mm)	n-Ød(mm)	f(mm)	H(mm)	kg
125	16	400±2	250	210	184	19	8-Ø19	3	287	31
150	16	480±2	285	240	211	19	8-Ø23	3	304	40
200	16	600±2	340	295	266	20	12-Ø23	3	370.5	66,5
250	16	730±2	405	355	319	22	12-Ø28	3	469	99
300	16	850±2	460	410	370	24.5	12-Ø28	4	540	160.8

Dia.	ØA	B	C	D	E	F	G	H	ØJ	K	L
DN125	133.5	240	1.2	8	427.2	214.2	12.9	7.5	1.5	3	8
DN150	156	233	1.2	10	499.8	221.7	5.65	7.5	1.5	3	8
DN200	208	297	1.2	8	661.1	283.8	6.6	7.5	1.5	3	10
DN250	260	356	1.2	12	828.4	346.4	4.8	7.5	1.5	3	10
DN300	312	430	1.2	12	991.7	415.7	7.15	7.5	1.5	3	10

No	Part	Material
1	Body	Ductile Iron
2	Filter	AISI 304 Stainless Steel
3	Gasket	Graphite
4	Cover	Ductile Iron
5	Plug	Malleable Iron Galvanized
6	Flat Washer	Carbon Steel Zinc Plated
7	Bolt	Carbon Steel Zinc Plated

PTY-30 STRAINERS

DN350-600



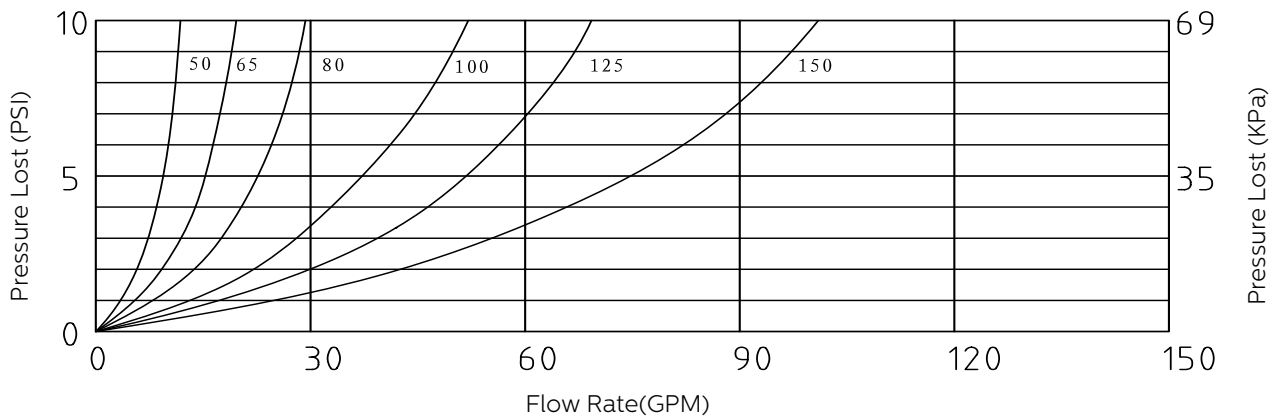
DN	PN	L(mm)	D(mm)	D1(mm)	D2(mm)	b(mm)	n-Ød(mm)	f(mm)	H(mm)	kg
350	16	838±3	520	470	429	26.5	16-Ø28	4	625	207
400	16	864±3	580	525	480	28	16-Ø31	4	715	278.7
450	16	978±3	640	585	548	30	20-Ø31	4	862	433.3
500	16	1250±3	715	650	608	31.5	20-Ø34	4	926	534
600	16	1450±3	840	770	720	36	20-Ø37	5	1057	835.8

Dia.	ØA	B	C	D	E	F	G	H	ØJ	K	L
DN350	350	466	1.2	12	1111	453.8	6.1	7	3	4	10
DN400	412	537	1.2	10	1303.7	519.6	8.7	5	3	4	12
DN450	470	750	1	10	1485.8	732	9	3	2	3.5	12
DN500	520	800	1	10	1642.8	782	9	3	2	3.5	12
DN600	620	965	1	10	1956.8	947	9	3	2	3.5	12

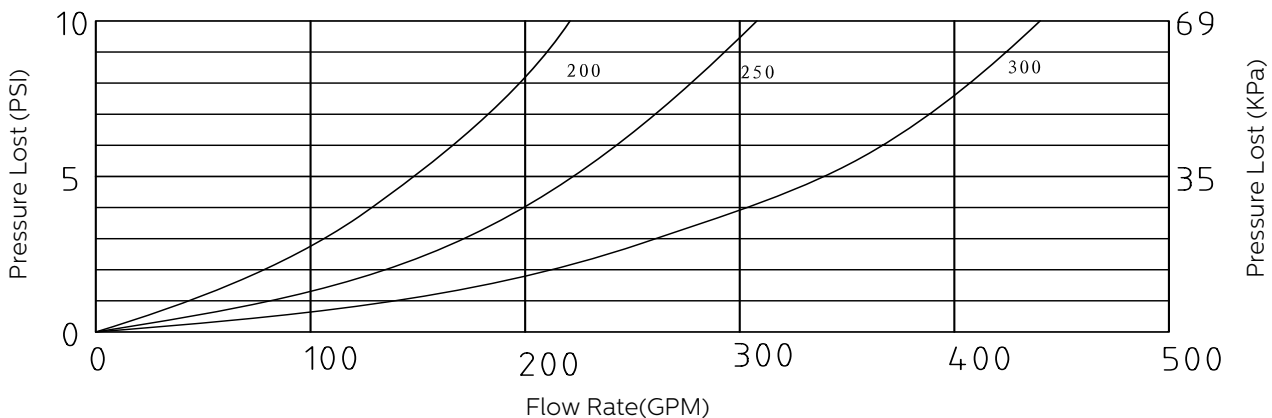
No	Part	Material
1	Body	Ductile Iron
2	Filter	AISI 304 Stainless Steel
3	Gasket	Graphite
4	Cover	Ductile Iron
5	Plug	Malleable Iron Galvanized
6	Flat Washer	Carbon Steel Zinc Plated
7	Bolt	Carbon Steel Zinc Plated

PTY-30 STRAINERS

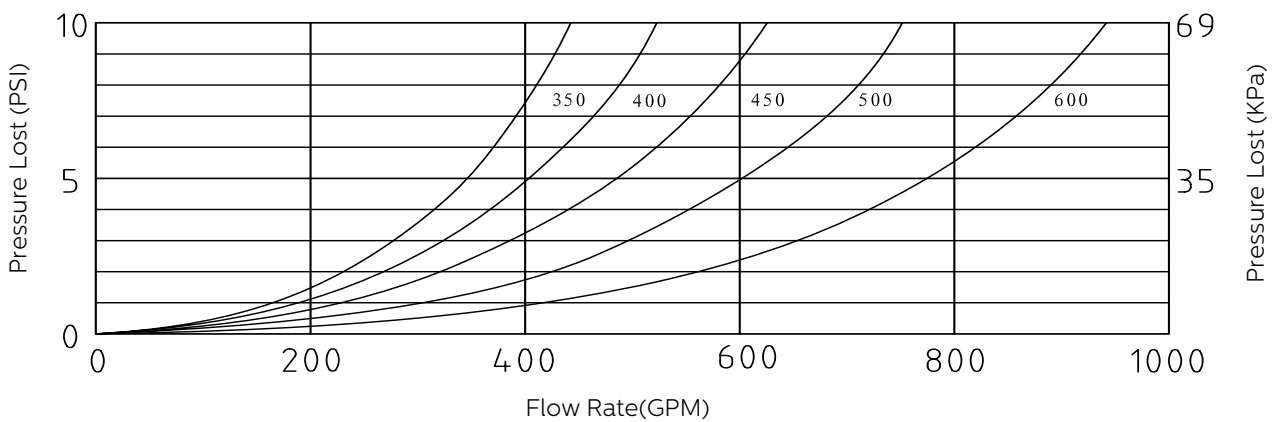
50mm-150mm



200mm-300mm

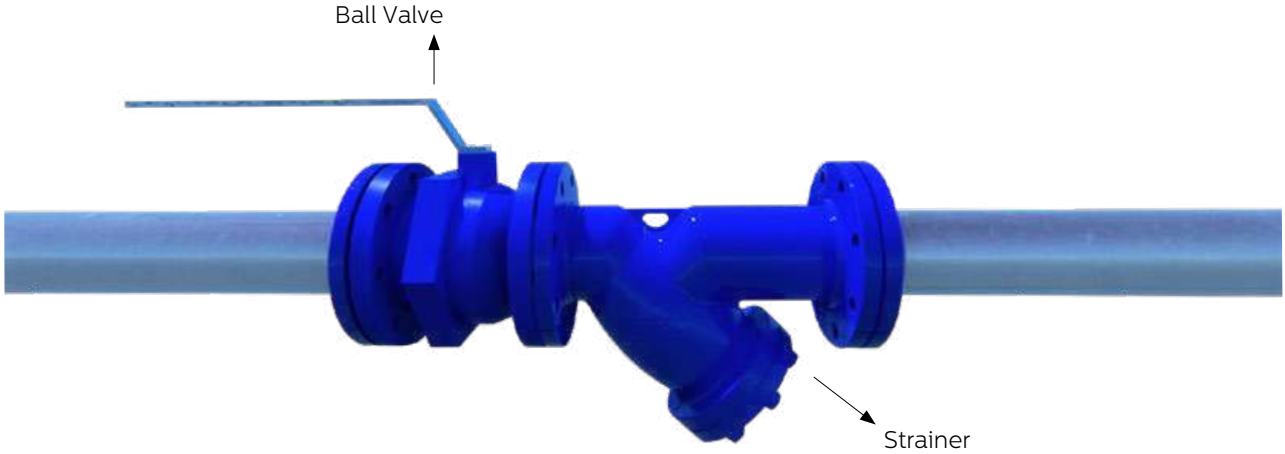


350mm-600mm



PTY-30 STRAINERS

INSTALLATION



It should install as seen above in cold water, hot water and similar fluids.



The direction of the strainer on the steam lines should be horizontal as shown. If it is placed vertically, because of the condensation there will be condensate and that causes water hammer.



HEAD OFFICE - FACTORY

Atatürk Sanayi Bölgesi Hadımköy Mahallesi Mustafa İnan Caddesi No: 44 Arnavutköy - İSTANBUL
 Tel: +90 212 771 01 45 (pbx) | Fax: +90 212 771 47 27
 info@ayvaz.com | www.ayvaz.com

Cona
Caserta/Italy
 Tel: +39 0823 187 3988
 rmolaro@ayvaz.com

Ayvaz Germany
Viernheim/Germany
 Tel: +49 62046014399
 germany@ayvaz.com

Ayvaz Ukraine
Kiev/Ukraine
 Tel: +380 44 390 57 57
 info@ayvaz.com.ua

Tricorr
Warsaw/Poland
 Tel: +48 530 030 810
 +48 533 603 335
 tricorr@tricorr.eu

Ayvaz Azerbaijan
Baku/Azerbaijan
 Tel: +99 (455) 579-84-32
 ahayatov@ayvaz.com

Ayvaz Egypt
Cairo/Egypt
 Tel: +20 122 819 78 29
 andrew.eid@ayvaz.com

Ayvaz Gulf
Dubai/U.A.E
 Tel: +971 563550822
 +971 501306871
 mideast@ayvaz.com

Ayvaz China
Ningbo/China
 Tel: +86 152 5830 7361
 msahin@ayvaz.com

Ayvaz Kazakhstan LLP
Almaty/Kazakhstan
 Tel: +7 (727) 327 97 57
 info_kz@ayvaz.com

Ayvaz N
Ispereh/Bulgaria
 Tel: +359 8431 27 32
 office@ayvaz-n.eu

Ayvaz Serbia
Belgrade/Serbia
 Tel: +381 61 658 70 52
 yakbiyik@ayvaz.com

Ayvaz Vietnam
HCMC/Vietnam
 Tel: +84 89 8508345

Ayvaz Americas
Rhode Island/USA
 Tel: +1 401 737 8380
 americas@ayvaz.com