



YBS-20

SURFACE BLOWDOWN SYSTEM (FOR STEAM GENERATORS)

GENERAL FEATURES

Automatic TDS Blowdown Control System for Steam Generator

The steam produced by the steam generators contains 15% water vapor and the steam separator must be used for the desired dry steam. The water evacuated from the separator is poured into the feedback tank, the unwanted undissolved substances in the condensate will be slowly concentrated.

The system has a controller sensor that measures the feed water conductivity and temperature.

If the conductivity exceeds a predetermined level, the drain valve is opened and the condensate with a high conductivity is discharged and the water returning from the separator or from the system is became discharged.

The blowdown valve closes when the conductivity controller drops below the set value.

Advantages:

- It helps to provide clean and dry steam.
- Reduces blowdown and water treatment costs.
- Provides accurate conductivity control.
- The coil extends its life.
- Outputs 0.4-20mA for remote monitoring.
- The controller shows the blowdown status.

Blowdown Control System for Steam Generator:

Sensor Chamber: 1 1/4 " BSP Conductivity sensor, sampling connection

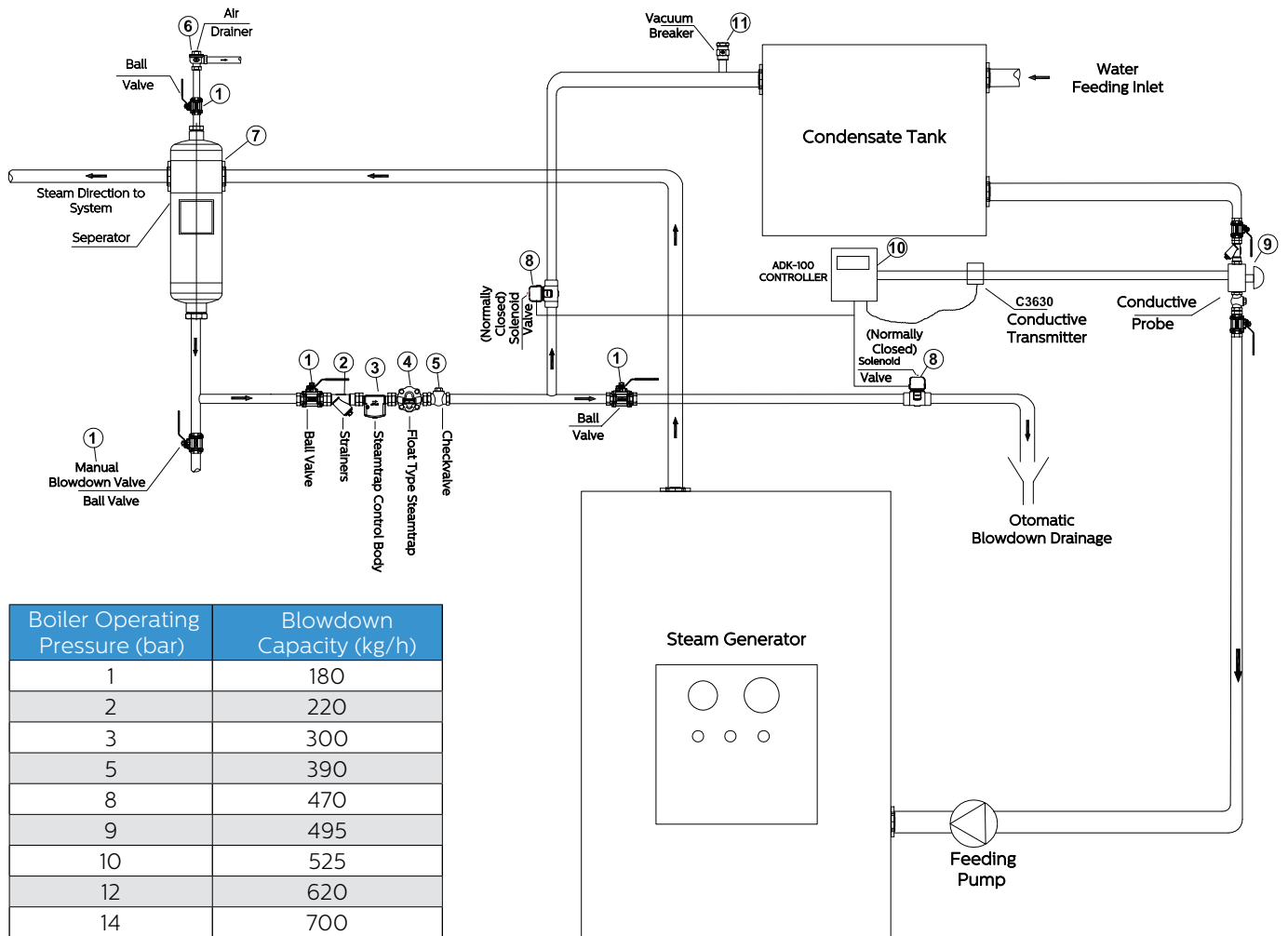
Blow valve: Solenoid valve (up to 15 bar)

Also recommended: Strainer and shut-off valve, sample cooling vessel (NK-16)

YBS-20 SURFACE BLOWDOWN SYSTEM(FOR STEAM GENERATORS)

APPLICATION SAMPLE

Automatic TDS control system for steam generators



Boiler Operating Pressure (bar)	Blowdown Capacity (kg/h)
1	180
2	220
3	300
5	390
8	470
9	495
10	525
12	620
14	700

2018 - Non contractual document - Reproduction forbidden without prior authorization



HEAD OFFICE - FACTORY

Atatürk Sanayi Bölgesi Hadımköy Mahallesi Mustafa İnan Caddesi No: 44 Arnavutköy - İSTANBUL
Tel: +90 212 771 01 45 (pbx) | Fax: +90 212 771 47 27
info@ayvaz.com | www.ayvaz.com

Cona
Caserta/Italy
Tel: +39 0823 187 3988
rmolaro@ayvaz.com

Ayvaz Germany
Viernheim/Germany
Tel: +49 62046014399
germany@ayvaz.com

Ayvaz Ukraine
Kiev/Ukraine
Tel: +380 44 390 57 57
info@ayvaz.com.ua

Tricorr
Warsaw/Poland
Tel: +48 530 030 810
+48 533 603 335
tricorr@tricorr.eu

Ayvaz Azerbaijan
Baku/Azerbaijan
Tel: +99 (455) 579-84-32
ahayatov@ayvaz.com

Ayvaz Egypt
Cairo/Egypt
Tel: +20 122 819 78 29
andrew.eid@ayvaz.com

Ayvaz Gulf
Dubai/U.A.E
Tel: +971 563550822
+971 501306871
mideast@ayvaz.com

Ayvaz China
Ningbo/China
Tel: +86 152 5830 7361
msahin@ayvaz.com

Ayvaz Kazakhstan LLP
Almaty/Kazakhstan
Tel: +7 (727) 327 97 57
info_kz@ayvaz.com

Ayvaz N
Ispirih/Bulgaria
Tel: +359 8431 27 32
office@ayvaz-n.eu

Ayvaz Serbia
Belgrade/Serbia
Tel: +381 61 658 70 52
yakbiyik@ayvaz.com

Ayvaz Vietnam
HCMC/Vietnam
Tel: +84 89 8508345

Ayvaz Americas
Rhode Island/USA
Tel: +1 401 737 8380
americas@ayvaz.com