



SK-50B

FLOAT TYPE STEAM TRAP WITH BIMETALLIC AIR VENT

GENERAL FEATURES

Ayvaz SK-50B Float Traps perform continuous evacuation, especially with the amount of condensate, at the steam saturation temperature. It is not affected by sudden and wide pressure changes. Rather, it is preferred for systems where condensate desorption is desired to be rapid, where condensation accumulation in the pipeline is undesirable. Ideal for automatic temperature control systems.

In addition to the float performing the evacuation mission, the air evacuation is also carried out by the bimetallic plates present in the body. Thus, water hammer is prevented which is caused by air deposit in the pipeline. At the same time, if the float loses its function for any reason, the bimetallic plate enters the circuit to continue the condensate removal and prevents the system from becoming blocked.

Product Material:
 Body and Cover: GG-25 Cast Iron
 Inner Part: Complete AISI304 Stainless Steel

Connection:
 Threaded or flanged

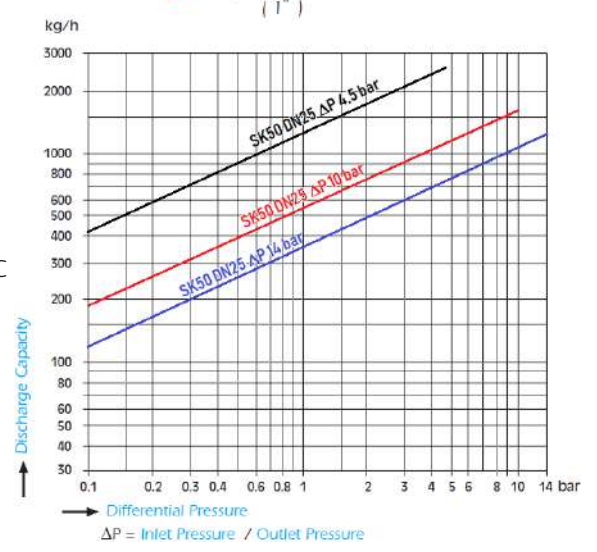
Nominal Diameter:
 DN25 - DN50

Pressure:
 Max. 16 bar.

Working Temperature:
 Max. working temperature 250 °C

- Applications:**
- Heat exchangers
 - Heating batteries
 - Tanks
 - Drying rollers

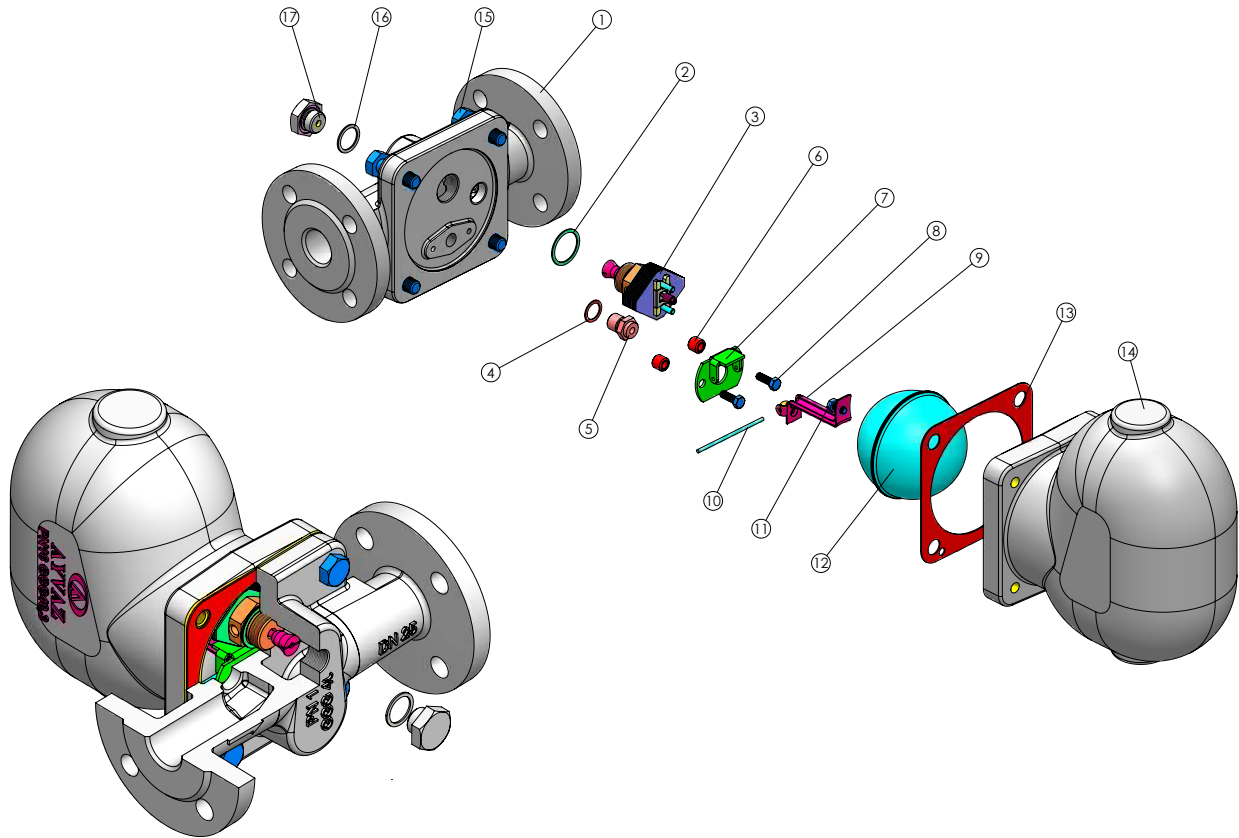
Discharge Capacities (l/h)



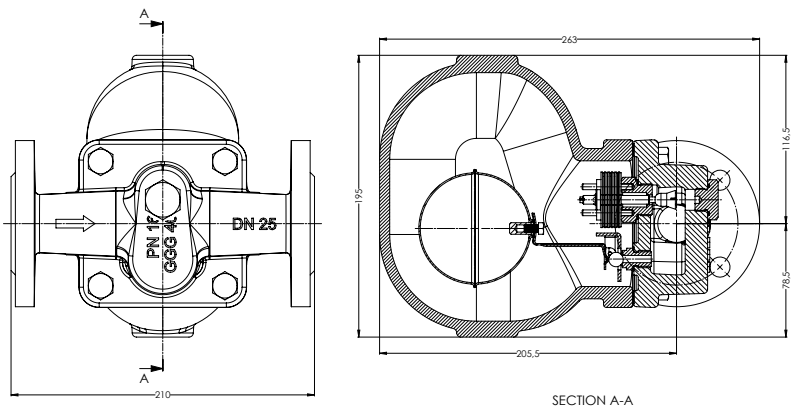
Connection Type	Flanged	Threaded
Diameters (mm)	25-32-40-50	1" - 1 1/4" - 1 1/2" - 2"
Weight (kg)	8,3-20,8-21,8-33	6,8-16,8-17,6-22

SK-50B BIMETALLIC FLOAT TYPE STEAM TRAP WITH AIR VENT

DN25

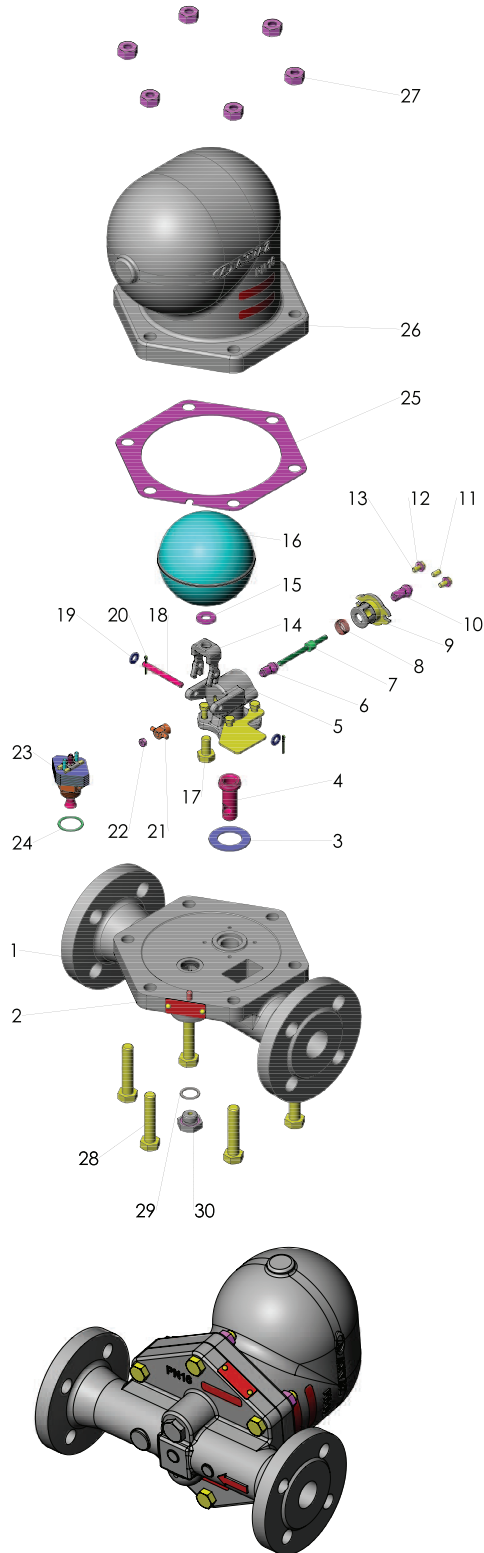


PART LIST		
1	Body	GGG 40.3
2	Seat Gasket	Stainless Steel
3	Bimetallic Element	Stainless Steel
4	Float Seat Gasket	Stainless Steel
5	Float Seat	Stainless Steel
6	Pin	Stainless Steel
7	Float Connection	Stainless Steel
8	Bolt	Stainless Steel
9	Float Lever	Stainless Steel
10	Connection Stem	Stainless Steel
11	Bolt	Stainless Steel
12	Float	Stainless Steel
13	Cover Gasket	Graphite
14	Cover	GGG 40.3
15	Bolt	8.8
16	Cap Gasket	Copper
17	Cap	Stainless Steel

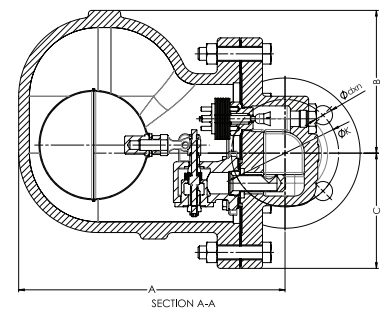
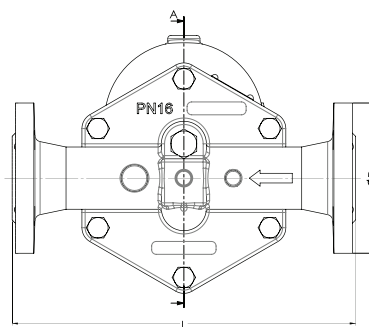


SK-50B BIMETALLIC FLOAT TYPE STEAM TRAP WITH AIR VENT

DN32 -DN40-DN50

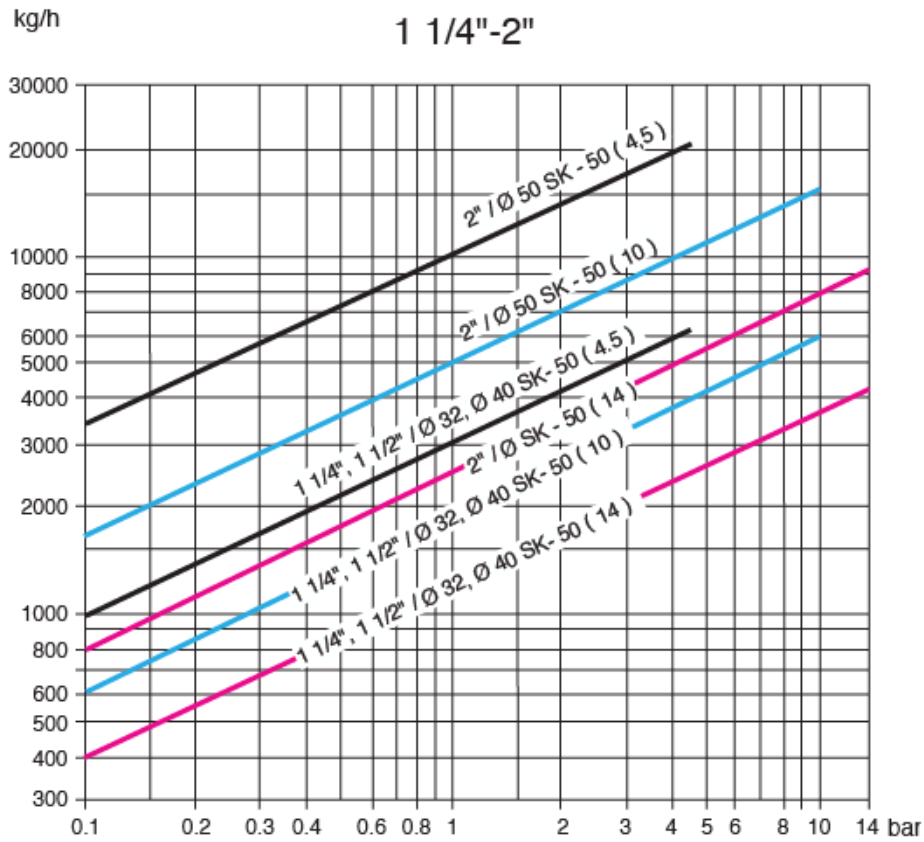


SPARE PARTS		
1	Body	GG-25 Cast Iron
2	Tighting Gasket	55 Si 7
3	Bearing Gasket	%94 Pure Graphite
4	Corrosion Prevention	AISI 304 Stainless Steel
5	Bearing	AISI 430 Stainless Steel
6	Valve	AISI 430 Stainless Steel
7	Seat Stem	AISI 304 Stainless Steel
8	Spring	AISI 302 Stainless Steel
9	Valve	1.4581
10	Seat Cover	AISI 430 Stainless Steel
11	Bolt	A2-70
12	Shim	AISI 304 Stainless Steel
13	A.K.B. Bolt	A2-70
14	Oscilating Pin	AISI 304 Stainless Steel
15	Shim	AISI 304 Stainless Steel
16	Float	AISI 316 Stainless Steel
17	A.K.B. Gasket	A2-70
18	Float Connection Stem	AISI 304 Stainless Steel
19	Shim	AISI 304 Stainless Steel
20	Joiner Pin	AISI 304 Stainless Steel
21	Roller	AISI 304 Stainless Steel
22	Nut	A2
23	Bimetallic Element	AISI 304 Stainless Steel
24	Seat Gasket	AISI 304 Stainless Steel
25	Cover Gasket	%94 Pure Graphite
26	Cover	GGG 40.3 Ductile Iron
27	Nut	8.8
28	A.K.B. Bolt	8.8
29	Stopper Gasket	Copper
30	Stopper	AISI 303 Stainless Steel



Dimensions							
Dia.	A	B	C	D	K	\varnothing_{DN}	L
32	248	133	108	140	100	18x4	320
40	248	133	108	150	110	18x4	320
50	252	138	125	165	125	18x4	320

SK-50B BIMETALLIC FLOAT TYPE STEAM TRAP WITH AIR VENT



HEAD OFFICE - FACTORY

Atatürk Sanayi Bölgesi Hadımköy Mahallesi Mustafa İnan Caddesi No: 44 Arnavutköy - İSTANBUL
Tel: +90 212 771 01 45 (pbx) | Fax: +90 212 771 47 27
info@ayvaz.com | www.ayvaz.com

Cona Caserta/Italy

Tel: +39 0823 187 3988
rmolaro@ayvaz.com

Ayvaz Germany Viernheim/Germany

Tel: +49 62046014399
germany@ayvaz.com

Ayvaz Ukraine Kiev/Ukraine

Tel: +380 44 390 57 57
info@ayvaz.com.ua

Tricorr Warsaw/Poland

Tel: +48 530 030 810
+48 533 603 335
tricorr@tricorr.eu

Ayvaz Azerbaijan Baku/Azerbaijan

Tel: +99 (455) 579-84-32
ahayatov@ayvaz.com

Ayvaz Egypt Cairo/Egypt

Tel: +20 122 819 78 29
andrew.eid@ayvaz.com

Ayvaz Gulf Dubai/U.A.E

Tel: +971 563550822
+971 501306871
mideast@ayvaz.com

Ayvaz China Ningbo/China

Tel: +86 152 5830 7361
msahin@ayvaz.com

Ayvaz Kazakhstan LLP Almaty/Kazakhstan

Tel: +7 (727) 327 97 57
info_kz@ayvaz.com

Ayvaz N Ispirih/Bulgaria

Tel: +359 8431 27 32
office@ayvaz-n.eu

Ayvaz Serbia Belgrade/Serbia

Tel: +381 61 658 70 52
yakbiyik@ayvaz.com

Ayvaz Vietnam HCMC/Vietnam

Tel: +84 89 8508345

Ayvaz Americas Rhode Island/USA

Tel: +1 401 737 8380
americas@ayvaz.com