

TKK-3/6

THERMOSTATIC STEAM TRAP/ 3-6 CAPSULES

GENERAL FEATURES

Ayvaz TKK-3 Thermostatic Steam Trap are designed with three capsules and specially designed for steam lines which require high condensate evacuation - compared to single capsule- and encountered water hammer frequently. The thermostatic capsule with high corrosion resistance follows the steam saturation curve with a constant difference, allowing condensate and noncondensable gases to evacuate from the steam line. The resistance of the thermostatic steam trap which is not affected by the water hammer is also very high.

TKK-3's strainers is under the cover. For the cleaning operation, open the cover which is under the body. Body and cover are forged steel, and all other internal parts are stainless steel including strainer. As in all Ayvaz thermostatic steam trap, TKK-3 contains one of 3 different capsules depending on the application conditions.

Standard production "S" type capsule is used. All internal parts of the steam trap, which continuously discharge, can be supplied as spare parts.

Ayvaz TKK-3 Thermostatic Steam Trap can be connected to the pipeline in any position for efficient and long-term operation. Appropriate isolation valves must be installed to ensure that maintenance and drainage are safe.

Product Material:

Body and Cover(TKK-3 / TKK-6)
Forged Steel / 316 SS (opt.)

Inner Parts: Stainless Steel

Connection:

Threaded, socket and flanged

Nominal Diameter:

DN15 (1/2") – DN50 (2")

Pressure:

Max. 32 bar

Working Temperature:

Max. 250 °C

Application:

- Drying units
- Pressing units
- Steam jacketed pipes
- Convector heaters
- Heaters

Installation:

Can be mounted horizontally or vertically.

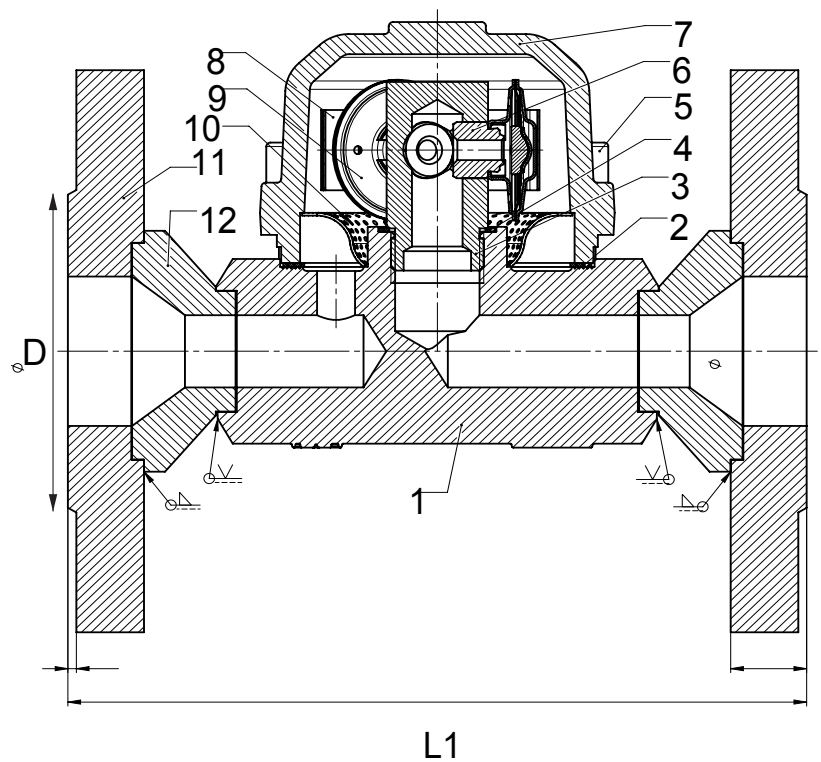
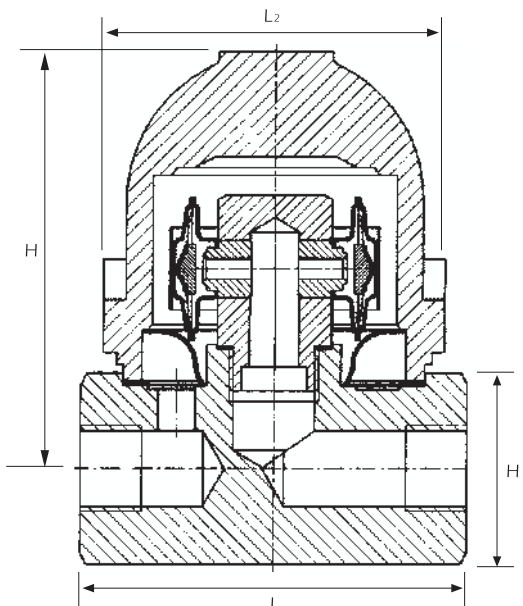
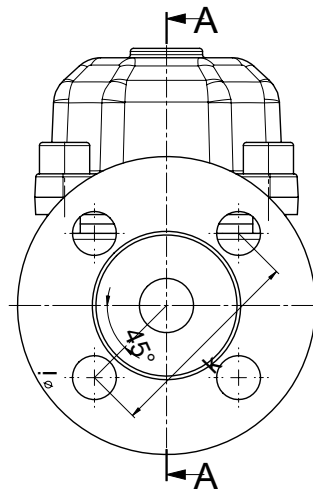
| CONNECTION TYPE | |
|-----------------|--|
| Threaded | NPT acc. to ANSI B1 20.1 BSP acc. to BS 2 |
| Socket | ANSI B 16.11 |
| Flanged | DIN 2635 (PN 40) |

TKK-3 THERMOSTATIC STEAM TRAP/ 3 CAPSULES

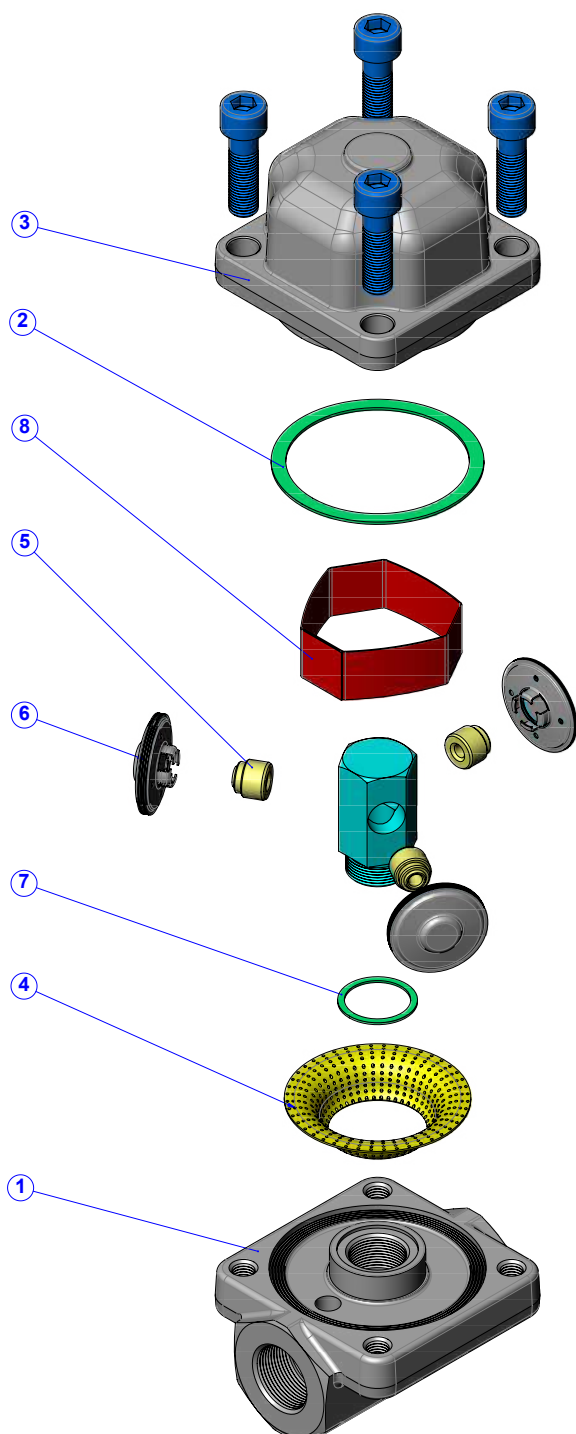
| WEIGHT | | | |
|---------------|-----------------|-----------------|-----------------|
| Connection | Flanged | Thread | Socket |
| Diameter (mm) | 15 - 20 - 25 | 1/2 - 3/4 - 1 | 1/2 - 3/4 - 1 |
| Weight (kg) | 4.3 - 4.6 - 5.3 | 2.4 - 2.4 - 2.3 | 2.5 - 2.5 - 2.4 |

| WEIGHT | | | |
|---------------|----------------|-----------------|-----------------|
| Connection | Flanged | Thread | Socket |
| Diameter (mm) | 32 - 40 - 50 | 1-1/4 1-1/2 - 2 | 1-1/4 1-1/2 - 2 |
| Weight (kg) | 5.9- 6.6 - 7.3 | 2.3- 2.3 - 2.2 | 2.4 - 2.4- 2.3 |

| DIMENSIONS (mm) | | | | | | | |
|-----------------|-----------|-------|-----|----|-----|-----|----|
| Dia. | L-L1-L2 | H-H1 | D | b | k | g | i |
| 15 | 95-150-82 | 93-41 | 95 | 16 | 65 | 45 | 14 |
| 20 | 95-150-82 | 93-41 | 105 | 18 | 75 | 58 | 14 |
| 25 | 95-160-82 | 93-41 | 115 | 18 | 85 | 68 | 14 |
| 32 | 95-175-82 | 93-41 | 140 | 18 | 100 | 78 | 14 |
| 40 | 95-185-82 | 93-41 | 150 | 18 | 110 | 88 | 14 |
| 50 | 95-195-82 | 93-41 | 160 | 20 | 125 | 102 | 14 |

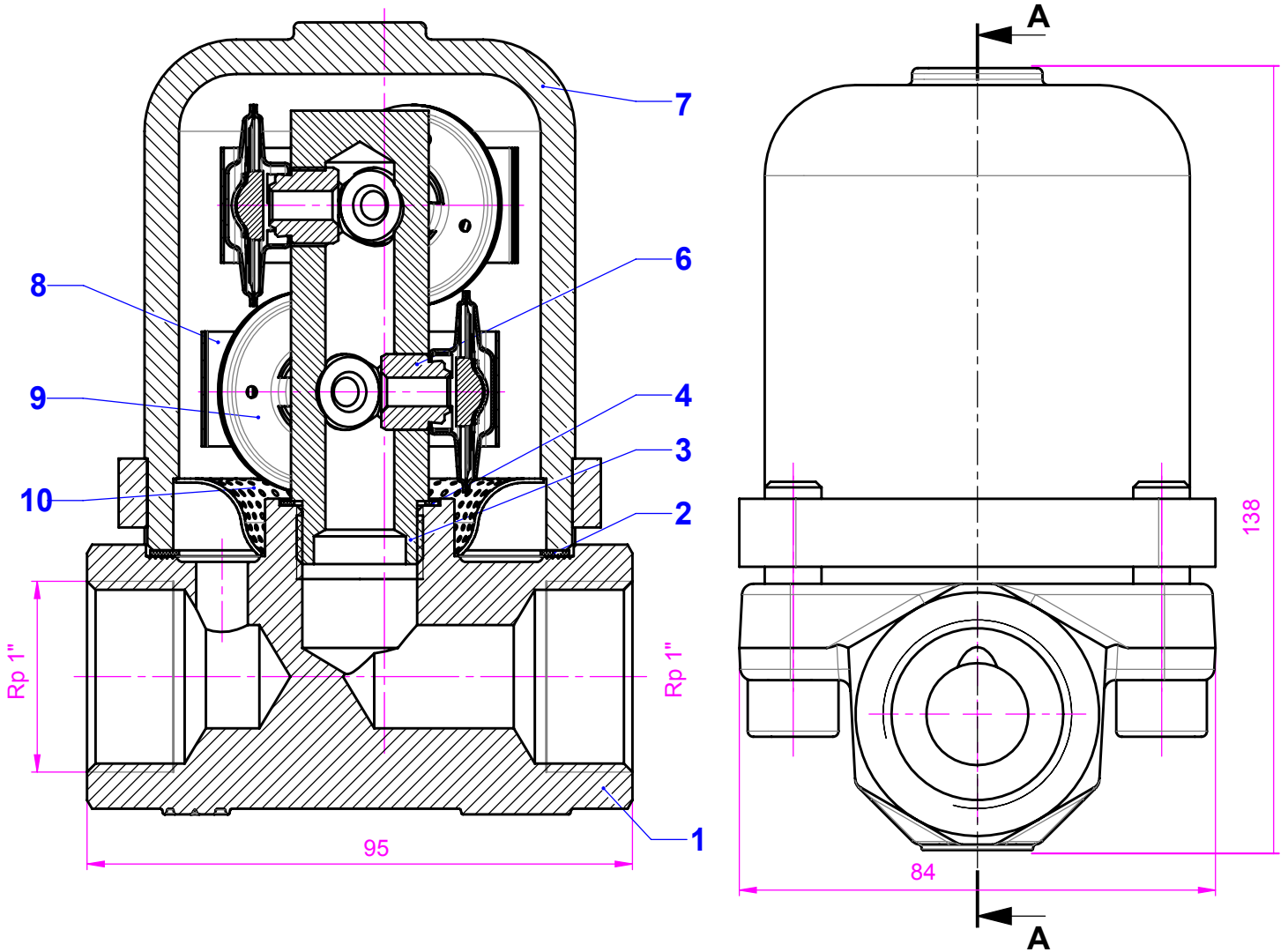


TKK-3 THERMOSTATIC STEAM TRAP/ 3 CAPSULES

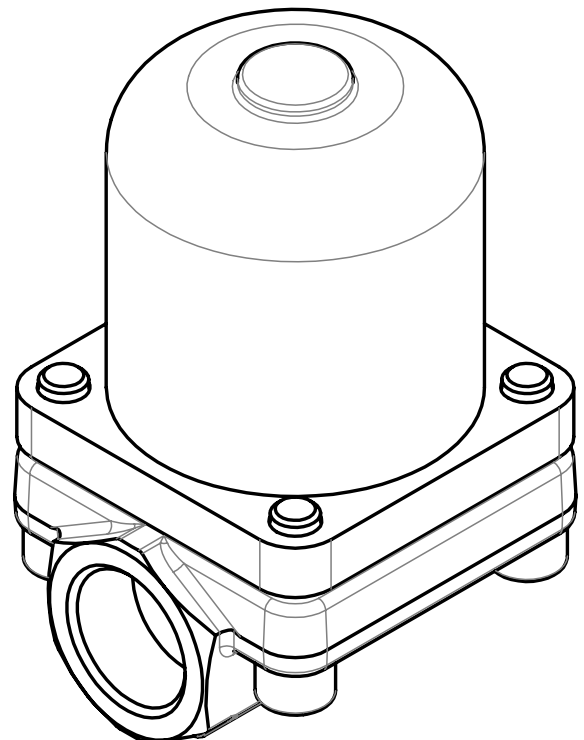


| MATERIALS | | |
|-----------|----------------------|-----------------|
| 1 | Body | Forged Steel |
| 2 | Cover Gasket | Klingerite |
| 3 | Cover | Forged Steel |
| 4 | Filter | Stainless Steel |
| 5 | Capsule Seat | Stainless Steel |
| 6 | Thermostatic Capsule | Stainless Steel |
| 7 | Cover Gasket | Stainless Steel |
| 8 | Pressure Spring | |

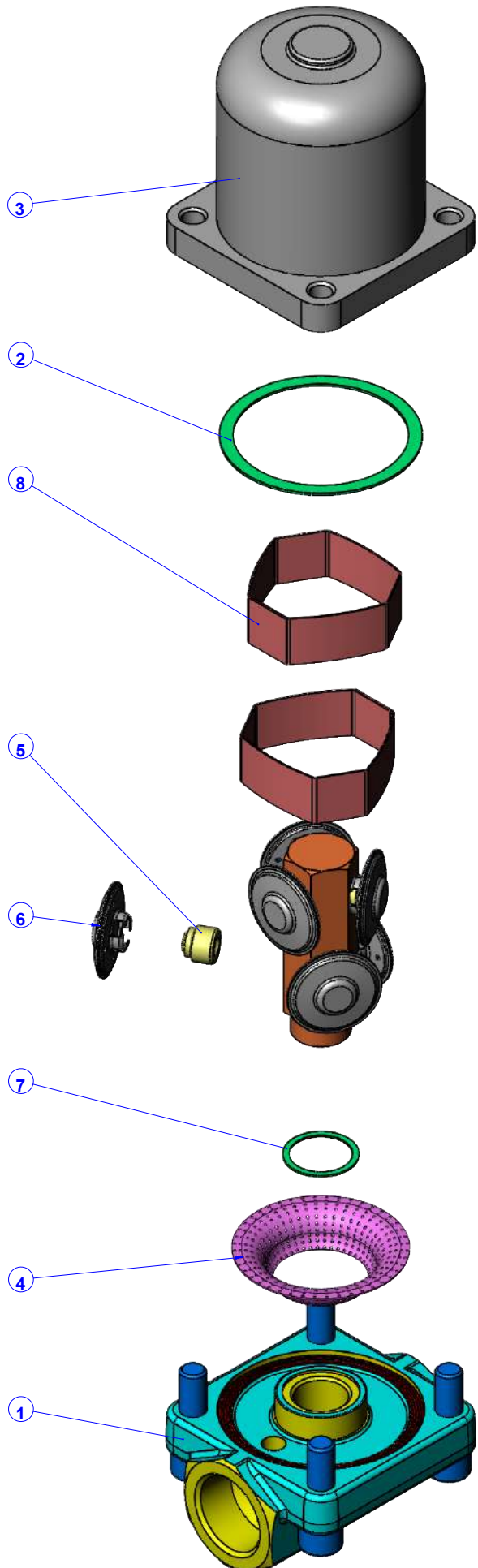
TKK-6 THERMOSTATIC STEAM TRAP/ 6 CAPSULES



| MATERIALS | | |
|-----------|----------------------|--------------------|
| 1 | Body | Forged Steel |
| 2 | Cover | Forged Steel |
| 3 | Seat Body | Stainless Steel |
| 4 | Seat Gasket | Stainless Steel |
| 5 | Cover Bolts | 8.8 |
| 6 | Seat | Stainless Steel |
| 7 | Cover Gasket | Klingerite |
| 8 | Pressure Spring | Spring sheet metal |
| 9 | Thermostatic Capsule | Stainless Steel |
| 10 | Strainer | Stainless Steel |



TKK-6 THERMOSTATIC STEAM TRAP/ 6 CAPSULES



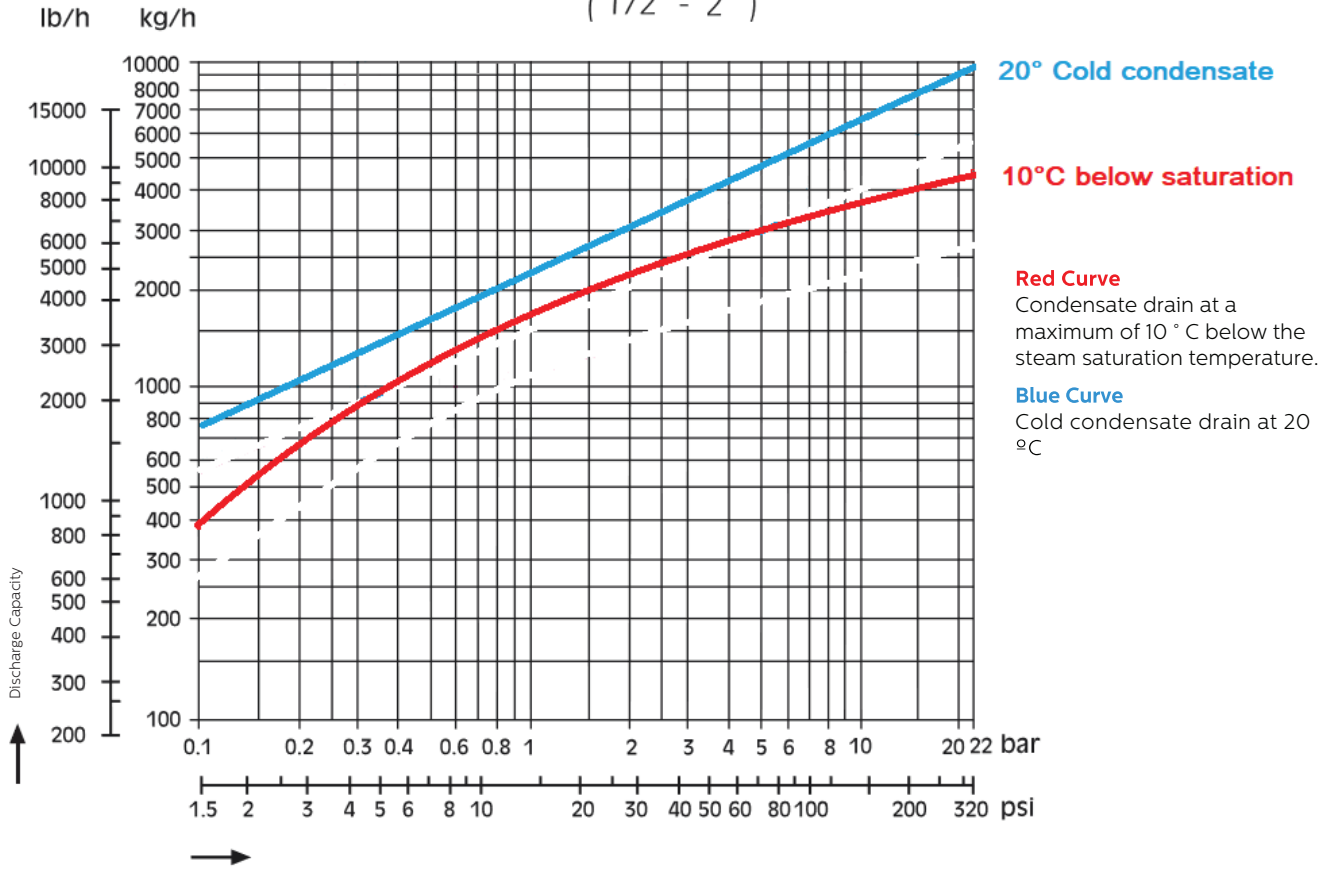
| MATERIAL | | |
|----------|-----------------|--------------------------|
| 1 | Body | Forged Steel ASTM A105 |
| 2 | Cover Gasket | Klingerite |
| 3 | Cover | Forged Steel ASTM A105 |
| 4 | Strainer | Stainless Steel AISI 304 |
| 5 | Air Vent Seat | Stainless Steel AISI 304 |
| 6 | Capsule | Stainless Steel AISI 304 |
| 7 | Seat Gasket | Stainless Steel AISI 304 |
| 8 | Pressure Spring | |

TKK-3/6 THERMOSTATIC STEAM TRAP/ 3-6 CAPSULES

DISCHARGE CAPACITIES

TKK-6

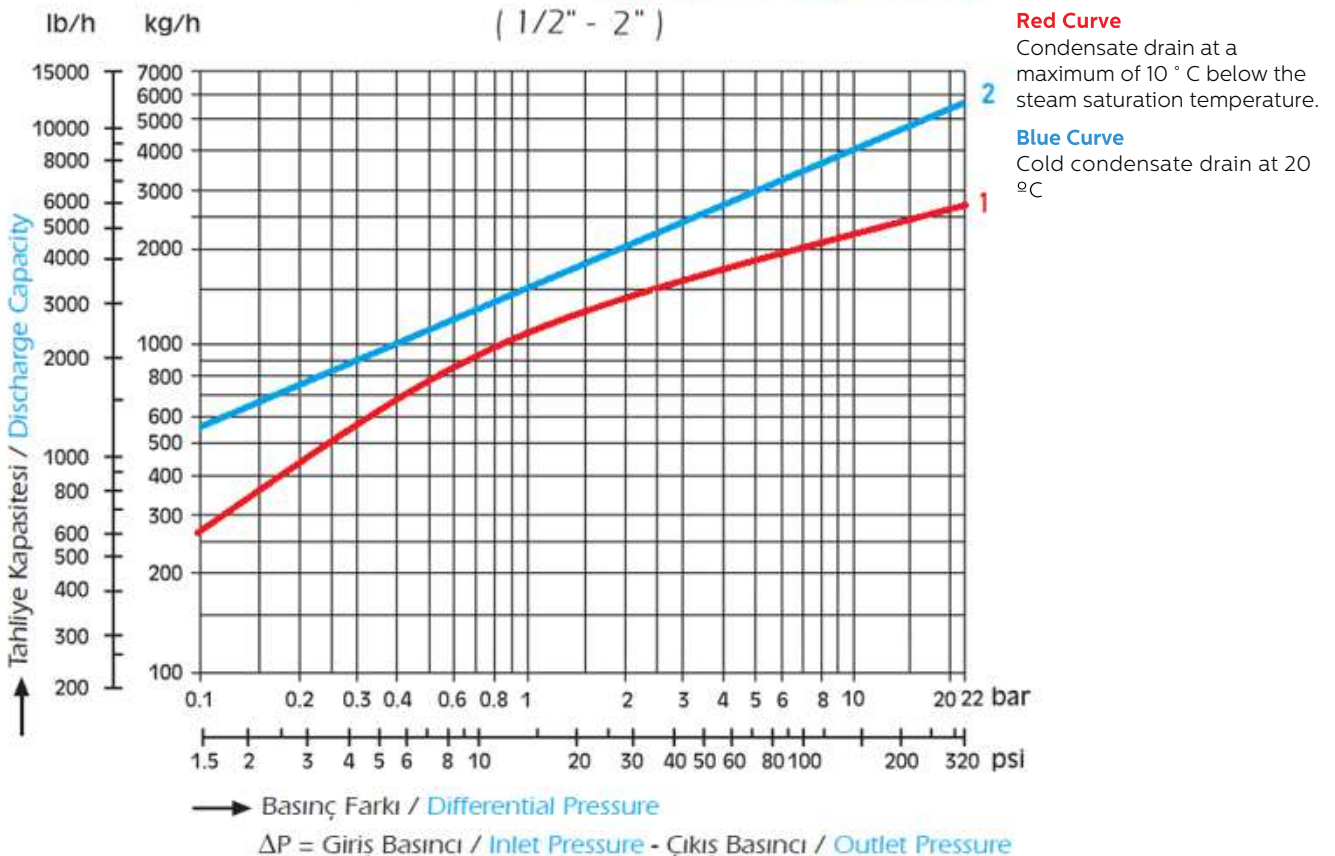
(1/2" - 2")



TKK-3

TKK3 Tahliye Miktarları / Discharge Capacities

(1/2" - 2")



TKK-3/6 THERMOSTATIC STEAM TRAP/ 3-6 CAPSULES



HEAD OFFICE - FACTORY

Atatürk Sanayi Bölgesi Hadımköy Mahallesi Mustafa İnan Caddesi No: 44 Arnavutköy - İSTANBUL
Tel: +90 212 771 01 45 (pbx) | Fax: +90 212 771 47 27
info@ayvaz.com | www.ayvaz.com

Cona Caserta/Italy

Tel: +39 0823 187 3988
rmolaro@ayvaz.com

Ayvaz Germany Viernheim/Germany

Tel: +49 62046014399
germany@ayvaz.com

Ayvaz Ukraine Kiev/Ukraine

Tel: +380 44 390 57 57
info@ayvaz.com.ua

Tricorr Warsaw/Poland

Tel: +48 530 030 810
+48 533 603 335
tricorr@tricorr.eu

Ayvaz Azerbaijan Baku/Azerbaijan

Tel: +99 (455) 579-84-32
ahayatov@ayvaz.com

Ayvaz Egypt Cairo/Egypt

Tel: +20 122 819 78 29
andrew.eid@ayvaz.com

Ayvaz Gulf Dubai/U.A.E

Tel: +971 563550822
+971 501306871
mideast@ayvaz.com

Ayvaz China Ningbo/China

Tel: +86 152 5830 7361
msahin@ayvaz.com

Ayvaz Kazakhstan LLP Almaty/Kazakhstan

Tel: +7 (727) 327 97 57
info_kz@ayvaz.com

Ayvaz N Ispirih/Bulgaria

Tel: +359 8431 27 32
office@ayvaz-n.eu

Ayvaz Serbia Belgrade/Serbia

Tel: +381 61 658 70 52
yakbiyik@ayvaz.com

Ayvaz Vietnam HCMC/Vietnam

ggursoy@ayvaz.com
Tel: +84 89 8508345

Ayvaz Americas Rhode Island/USA

Tel: +1 401 737 8380
americas@ayvaz.com