

SK-61

FLOATING BALL STEAM TRAP

GENERAL FEATURES

SK-61 Float Steam Trap is used for discharging the condensate by a mechanical float system. When the system starts up, thermostatic air vent is activated and discharges the air in the system. After this process, incoming steam will close the air vent. However when condensate reaches the steam trap, the float rises and open the main valve and discharges the condensate. As soon as the condensate discharge is completed and the steam reached into the trap, the float goes down and closes the valve. As it is designed that always some water stays on the valve system, water sealing is provided. That prevents possible steam leakages. Condensate level in SK-61 can be seen through the sight glass as optional.

Material Parts

Body And Cover: AISI 316 Stainless Steel

Inner Parts: Stainless Steel

Connection:
Threaded, Flanged and Socket

Nominal Diameter:
DN15 (1/2") - DN50 (2")

Pressure:
Max. 25 bar

Working Temperature:
Max. 250 °C

Application Areas:

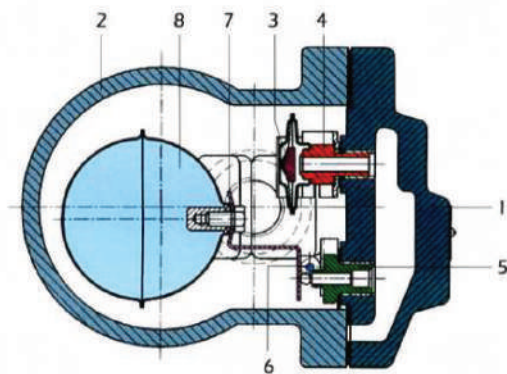
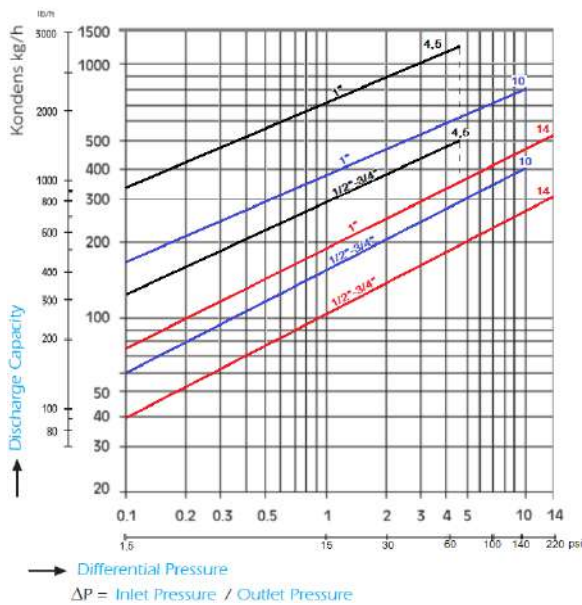
- Heat Exchangers
- Heating Batteries
- Tanks
- Pans-Drying Cylinders
- Pharmaceutical Industry
- Chemical Industry
- Food Industry

Connection Type	Flanged	Threaded
Diameter (mm)	15-20-25-32-40-50	1/2"- 3/4"-1"- 1 1/4"- 1 1/2"-2"
Weight (kg)	5,5-5,5-6,85-20,8-21,8-33	4,10-4,10-4,65-16,8-17,6-22

SK-61 FLOATING BALL STEAM TRAP

TECHNICAL SPECIFICATIONS

SK61 (1/2" - 3/4" - 1")

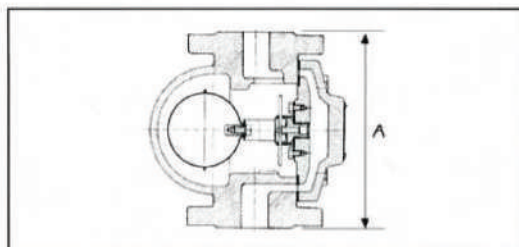
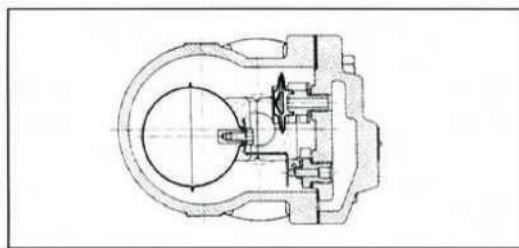


SPARE PARTS		
No	PART NAME	MATERIAL
1	Body	AISI316 SS
2	Cover	AISI316 SS
3	Thermostatic Capsule	Stainless Steel
4	Air Vent Seat	Stainless Steel
5	Float Seat	Stainless Steel
6	Main Valve	Stainless Steel
7	Float Lever	Stainless Steel
8	Float	Stainless Steel

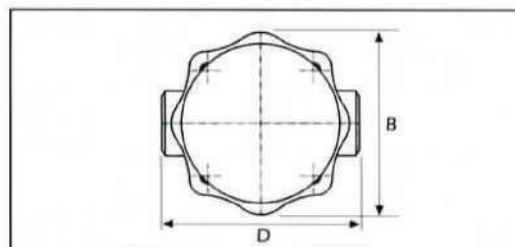
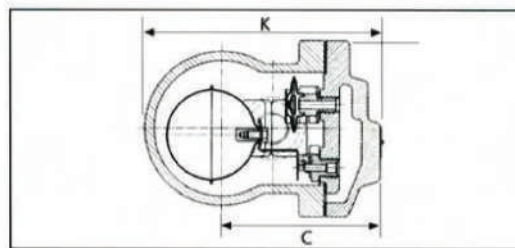
Dia.	DIMENSIONS (mm)				
	A	K	B	C	D
15	150	150	108	68	122
20	150	150	108	68	122
25	160	167	108	107	145

All dimensions are given in mm.

FLANGED CONNECTION

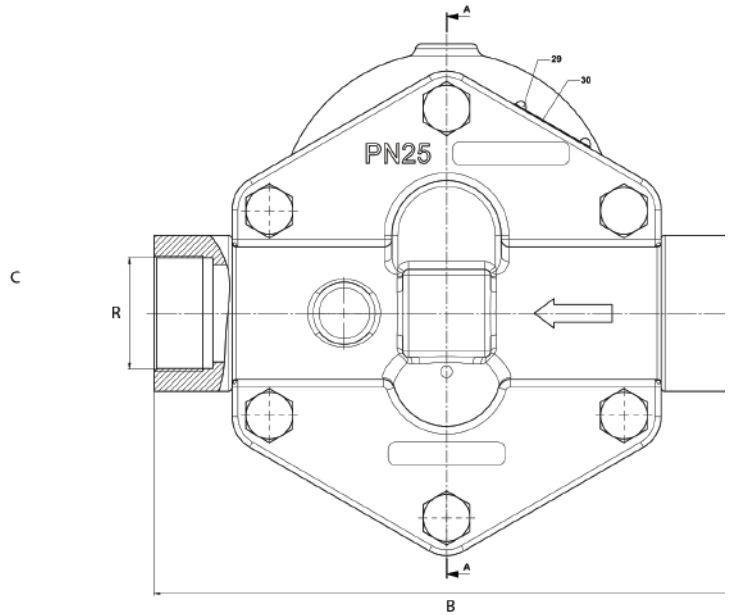
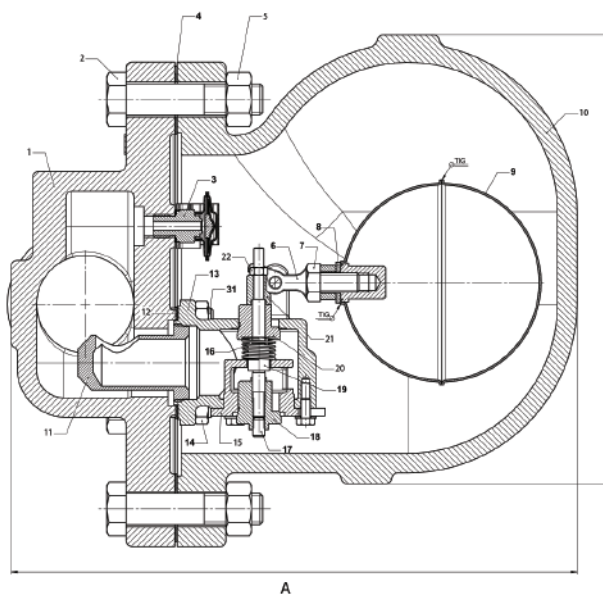


THREADED CONNECTION



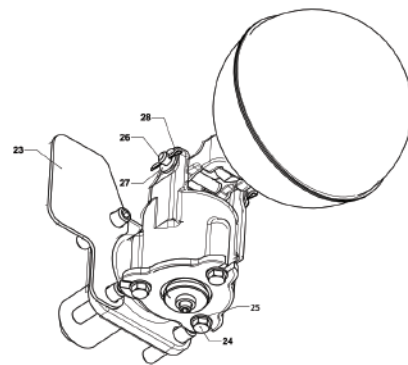
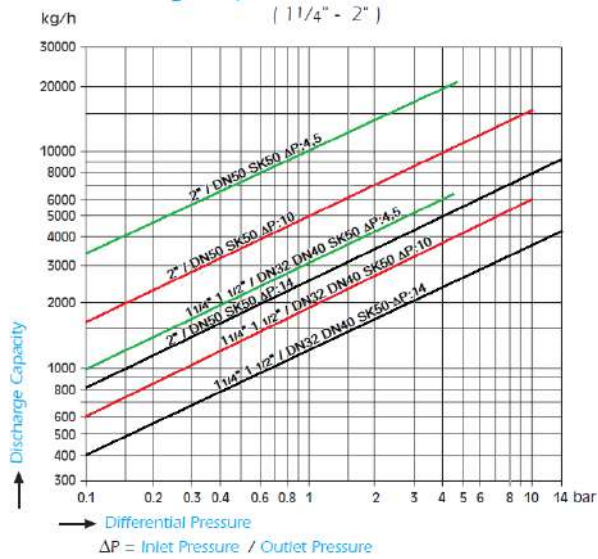
SK-61 FLOATING BALL STEAM TRAP

1 1/4"-2" THREADED



Discharge Capacities

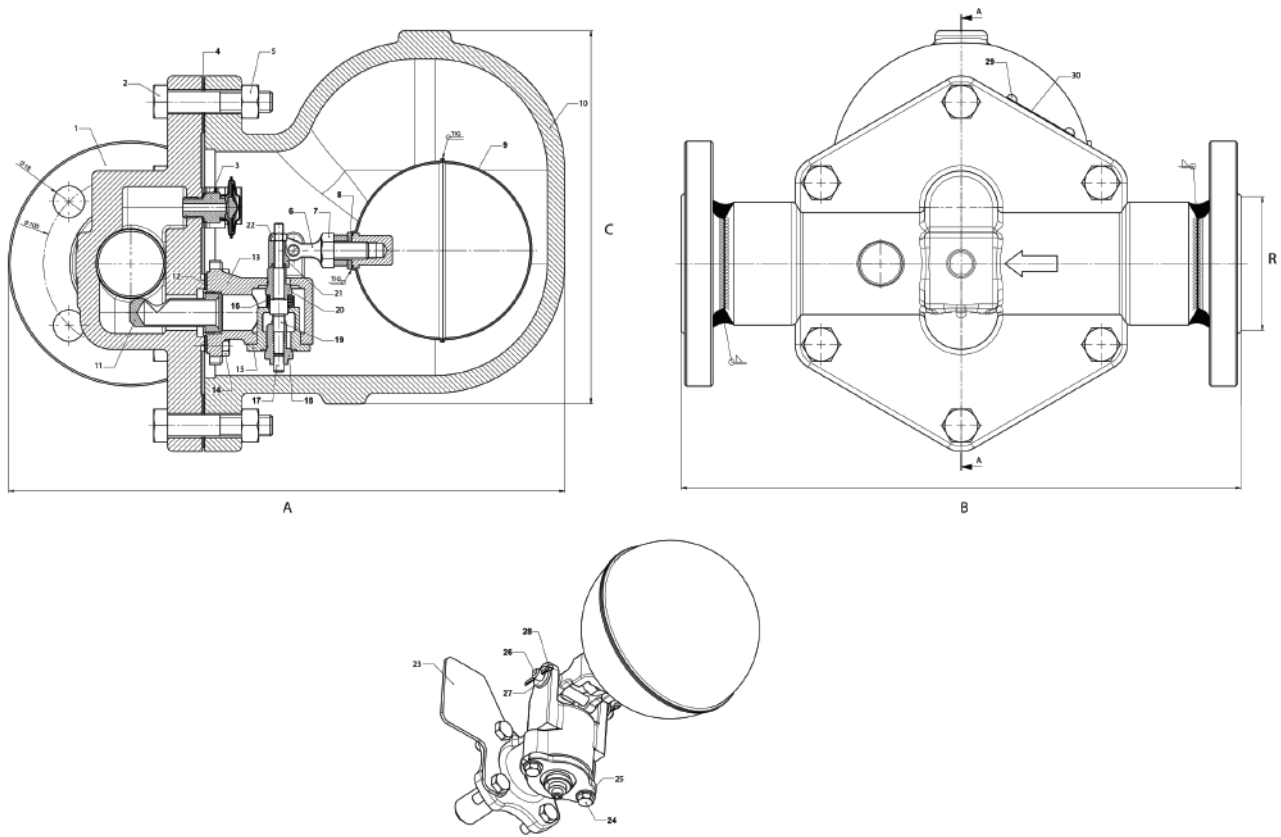
(1 1/4" - 2")



Dia.	DIMENSIONS (mm)			
	R	A	B	C
1 1/4"	DN32	290	300	230
1 1/2"	DN40	280	270	213
2"	DN50	280	270	213

SK-61 FLOATING BALL STEAM TRAP

1 1/4"-2" FLANGED



Dia.	DIMENSIONS (mm)			
	R	A	B	C
1 1/4"	DN32	318	320	213
1 1/2"	DN40	323	320	213
2"	DN50	335	320	230



HEAD OFFICE - FACTORY

Atatürk Sanayi Bölgesi Hadımköy Mahallesi Mustafa İnan Caddesi No: 44 Arnavutköy - İSTANBUL
 Tel: +90 212 771 01 45 (pbx) | Fax: +90 212 771 47 27
 info@ayvaz.com | www.ayvaz.com

Cona
Caserta/Italy
 Tel: +39 0823 187 3988
 rmolaro@ayvaz.com

Ayvaz Germany
Viernheim/Germany
 Tel: +49 62046014399
 germany@ayvaz.com

Ayvaz Ukraine
Kiev/Ukraine
 Tel: +380 44 390 57 57
 info@ayvaz.com.ua

Tricorr
Warsaw/Poland
 Tel: +48 530 030 810
 +48 533 603 335
 tricorr@tricorr.eu

Ayvaz Azerbaijan
Baku/Azerbaijan
 Tel: +99 (455) 579-84-32
 ahayatov@ayvaz.com

Ayvaz Egypt
Cairo/Egypt
 Tel: +20 122 819 78 29
 andrew.eid@ayvaz.com

Ayvaz Gulf
Dubai/U.A.E
 Tel: +971 563550822
 +971 501306871
 mideast@ayvaz.com

Ayvaz China
Ningbo/China
 Tel: +86 152 5830 7361
 msahin@ayvaz.com

Ayvaz Kazakhstan LLP
Almaty/Kazakhstan
 Tel: +7 (727) 327 97 57
 info_kz@ayvaz.com

Ayvaz N
İsperih/Bulgaria
 Tel: +359 8431 27 32
 office@ayvaz-n.eu

Ayvaz Serbia
Belgrade/Serbia
 Tel: +381 61 658 70 52
 yakbiyik@ayvaz.com

Ayvaz Vietnam
HCMC/Vietnam
 Tel: +84 89 8508345

Ayvaz Americas
Rhode Island/USA
 Tel: +1 401 737 8380
 americas@ayvaz.com