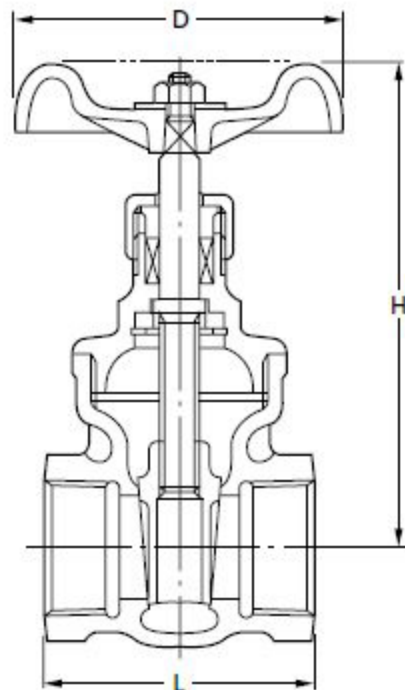


# 10K

# GATE VALVE

Pressure-Temperature Rating: 1.0MPa: 180°C  
200psi. W.O.G.: 350°F S.P.



Parts	UEL	UELM
Body	SCS13A	SCS14A
Bonnet	SCS13A	SCS14A
Stem	SUS304	SUS316
Disc	SCS13A	SCS14A
Gland	SUS304	SUS316
Gland packing	Refer to Page 10	
Packing nut	SCS13A	
Handwheel	ZDC (1/2 & 3/4) / ADC12 (1~2)	
Name plate	A1050P	

Face-to-Face Dimensions: KITZ Std.  
End Thread Dimensions: JIS B0203  
Wall Thickness: KITZ Std.

UEL

UELM

Nominal Size	1/2	3/4	1	1 1/4	1 1/2	2	Unit:mm
L	54	58	65	74	78	87	
H	96	101	112	123	150	167	
D	70	70	80	80	100	100	