

AL-10

Features

1. Compact and lightweight lift safety valve, installation is easy.
2. Simple structure and easy maintenance.
3. Due to lift valve lever mechanism a discharge inspection can be manually performed at more than 75% of the opening pressure (open type with a lever).
4. Blowdown can be adjusted with adjustable ring (seat ring).

Specifications

Structure		Open type
Application		Steam
Working pressure		0.05-1.0 MPa
Maximum temperature		220°C
Material	Spring case	Ductile cast iron
	Valve, valve seat	Cast bronze or stainless steel
Connection		JIS Rc screwed



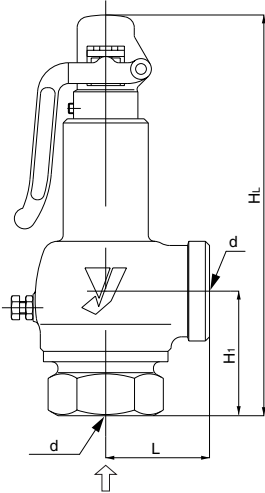
Open type with a lever



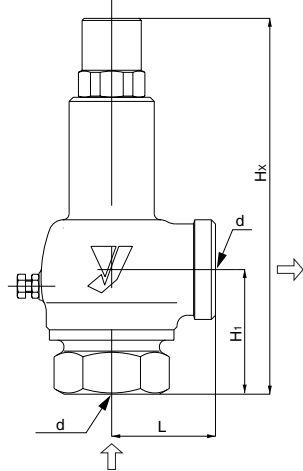
Open type without a lever

Dimensions and Weights

Nominal size	Dimension (mm)						Flow area $\pi D \ell$ (mm ²)	Weight (kg)
	d	L	H ₁	H _L	H _X	Seat diameter		
15A	Rc 1/2	40	40	154	142	16	20.1	1.0
20A	Rc 3/4	45	50	173	161	21	34.6	1.5
25A	Rc 1	50	60	193	181	26	53.0	1.8
32A	Rc 1-1/4	60	70	232	219	33	85.5	3.1
40A	Rc 1-1/2	65	75	250	237	41	132.0	4.5
50A	Rc 2	80	85	284	271	51	204.2	6.2



Open type with a lever



Open type without a lever

Certified Capacity Table

● For steam (saturation temperature) <Pressure vessel structure standard> (kg/h)

Nominal size \ Pressure MPa	0.05	0.1	0.2	0.3	0.4	0.5	0.6	0.7	0.8	0.9	1.0
15A	15	20	29	40	50	60	70	80	90	100	109
20A	27	35	51	69	87	104	121	138	155	172	189
25A	42	54	78	105	133	159	186	212	237	263	289
32A	67	87	127	170	215	257	300	342	383	425	467
40A	104	135	196	263	332	397	463	528	592	656	721
50A	161	209	303	407	513	615	716	817	916	1016	1116

• Please contact us for the calculation procedure for nominal size selection.