

CLV-50

CHECK VALVE / LIFT TYPE

GENERAL FEATURES

Check valves are commonly used armatures that can be applied for liquids, gases and steam applications. They increase safety and can substitute complicated armatures based on situation.

The working part of the check valves is a hinged disk. This disc can move freely on the hinge pin on one side. It works automatically with fluid motion. When the fluid is flowing in one direction, the disc opens and permits passage. If the flow is reversed, the disc closes. Thus, the flow on the line connecting the check valve is one way.

Ayvaz CLV-50 spring check valves are important for all installations. Check valves are the most important armatures to be taken against water hammer that damage steam installations and armatures.

Product Material

Body: GG-25 Cast Iron
Inner Components: AISI 304 Stainless Steel

Connection:
Flanged

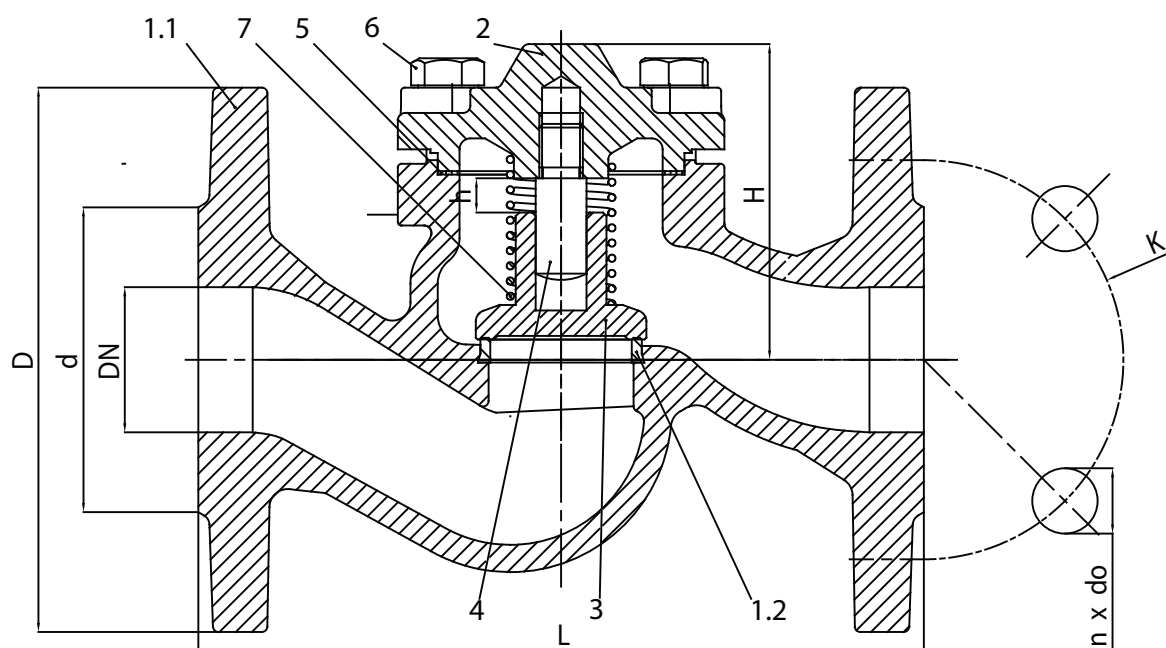
Nominal Diameter:
DN15 (1/2") – DN300 (12")

Application Areas

- Steam
- Superheated water
- Hot / cold water
- Non-acidic fluids
- Chemical fluids
- Compressed air

DN	15 - 300	
PN MPa	1,6	
Temp °C	300	
Test pressure MPa	Seal (Water)	1,8
	Shell (Water)	2,4
Medium	Water, Vapour, Oil	

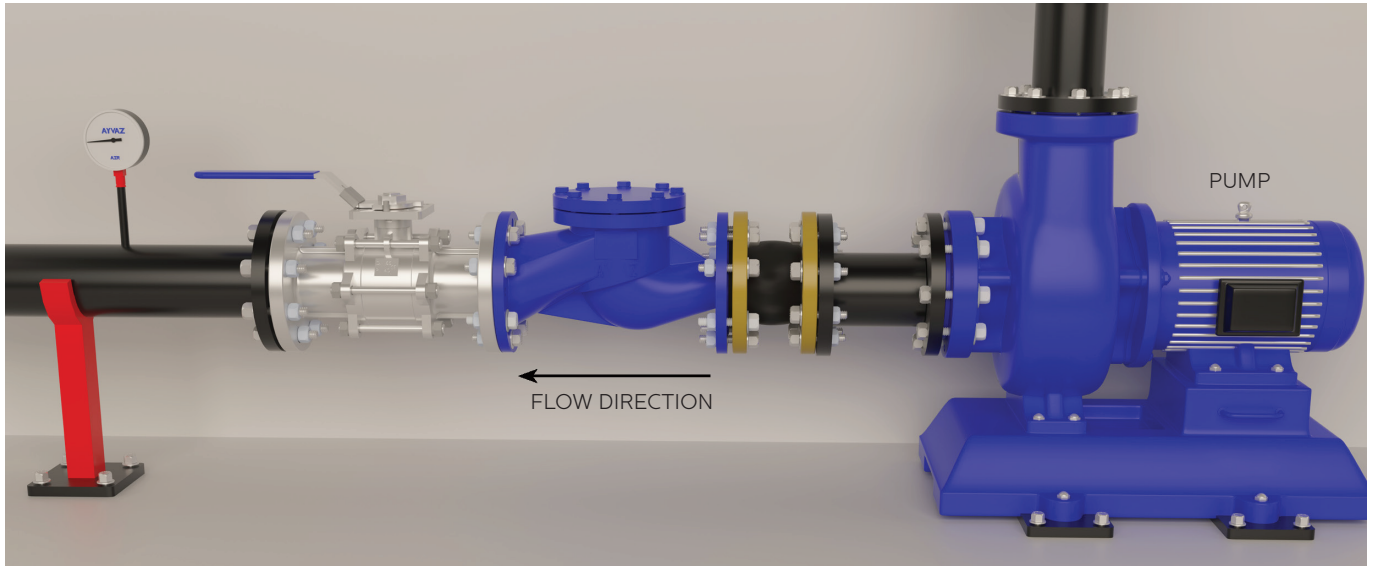
CLV-50 CHECK VALVE / LIFT TYPE



DN	D	d	K	nxdo	h	H	L
15	95	46	65	4x14	5	56	130
20	105	56	75	4x14	5	56	150
25	115	65	85	4x14	8	67	160
32	140	76	100	4x19	8	76	180
40	150	84	110	4x19	11	89	200
50	165	99	125	4x19	14	96	230
65	185	118	145	4x19	17	104	290
80	200	132	160	8x19	21	124	310
100	220	156	180	8x19	25	161	350
125	250	184	210	8x19	32	174	400
150	285	211	240	8x23	38	197	480
200	340	266	295	12x23	50	248	600
250	405	319	355	12x28	65	333	730
300	460	370	410	12x28	95	375	850

REF	Description	Material
1.1	Body	EN-GJL-250
1.2	Seat Ring	X20Cr13
2	Cover	EN-GJL-250
3	Disc	X20Cr13
4	Stem	X20Cr13
5	Cover Gasket	Graphite+CrNiSt
6	Hexagon	5,6
7	Spring	X17CrNi16-2

CLV-50 CHECK VALVE / LIFT TYPE



HEAD OFFICE - FACTORY

Atatürk Sanayi Bölgesi Hadımköy Mahallesi Mustafa İnan Caddesi No: 44 Arnavutköy - İSTANBUL
Tel: +90 212 771 01 45 (pbx) | Fax: +90 212 771 47 27
info@ayvaz.com | www.ayvaz.com

Cona Caserta/Italy

Tel: +39 0823 187 3988
rmolaro@ayvaz.com

Ayvaz Germany Viernheim/Germany

Tel: +49 62046014399
germany@ayvaz.com

Ayvaz Ukraine Kiev/Ukraine

Tel: +380 44 390 57 57
info@ayvaz.com.ua

Tricorr Warsaw/Poland

Tel: +48 530 030 810
+48 533 603 335
tricorr@tricorr.eu

Ayvaz Azerbaijan Baku/Azerbaijan

Tel: +99 (455) 579-84-32
ahayatov@ayvaz.com

Ayvaz Egypt Cairo/Egypt

Tel: +20 122 819 78 29
andrew.eid@ayvaz.com

Ayvaz Gulf Dubai/U.A.E

Tel: +971 563550822
+971 501306871
mideast@ayvaz.com

Ayvaz China Ningbo/China

Tel: +86 152 5830 7361
msahin@ayvaz.com

Ayvaz Kazakhstan LLP Almaty/Kazakhstan

Tel: +7 (727) 327 97 57
info_kz@ayvaz.com

Ayvaz N Ispirih/Bulgaria

Tel: +359 8431 27 32
office@ayvaz-n.eu

Ayvaz Serbia Belgrade/Serbia

Tel: +381 61 658 70 52
yakbiyik@ayvaz.com

Ayvaz Vietnam HCMC/Vietnam

Tel: +84 89 8508345

Ayvaz Americas Rhode Island/USA

Tel: +1 401 737 8380
americas@ayvaz.com