

Type YBC-2F, 20F Manual Balancing Valve

This product is suitable for places that manually restrict flow during constant flow rate operation of the instrument and that need to appropriately distribute flow based on restriction on the maximum flow.



Type YBC-2F

Specifications

Type	YBC-2F	YBC-20F
Applicable fluid	Cold/hot water	
Applicable temperature	220°C or below	
Applicable pressure	Maximum 10 kgf/cm ² g	Maximum 20 kgf/cm ² g
End connection	KS PT 10K RF FLANGE	KS PT 20K RF FLANGE
Materials	Body	GC200
	Disc, seat	STS
Hydraulic test pressure	15 kgf/cm ² g	30 kgf/cm ² g

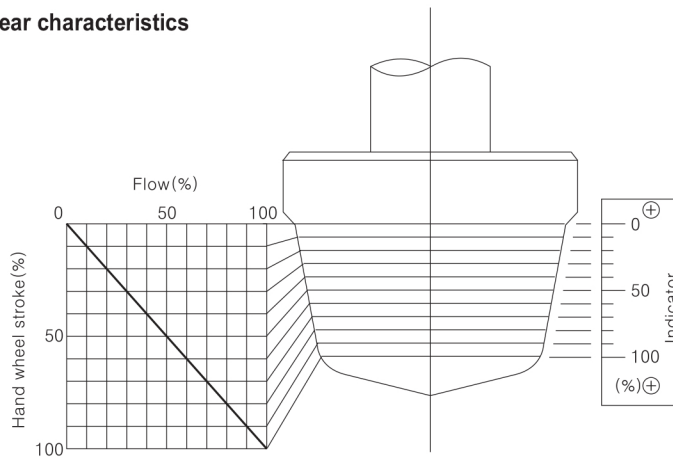
Dimensions

Size	L	H1	H2	Cv	Weight(kg)
50(2")	254 (267)	95	355	43	31
65(2½")	276 (276)	115	380	58	39
80(3")	294 (294)	120	400	85.5	47
100(4")	352 (352)	130	420	128	61
125(5")	400 (410)	150	562	222	118
150(6")	451 (473)	180	592	324	150
200(8")	543 (568)	255	632	555	191

▶ The length values in parenthesis are for the type YBC-20F.

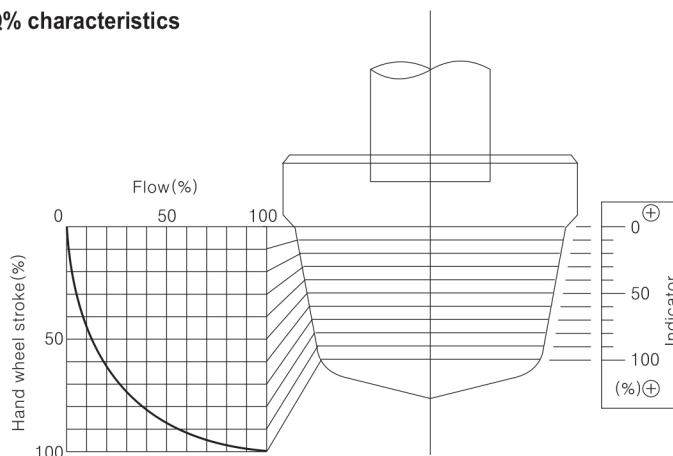
Flow characteristics curve

Linear characteristics



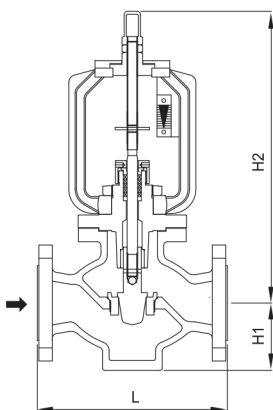
▶ If the valve stroke ratio is 50%, changes in the rated flow ratio are made as per the plug stroke ratio.

EQ% characteristics



▶ Proximity to the close state entails precise throttling, while proximity to the open state entails a rapid flow increase. As such, it is also used for cases where it is forecasted that there will be substantial fluctuations in terms of pressure drop.

Dimensional drawing



Type YBC-2F