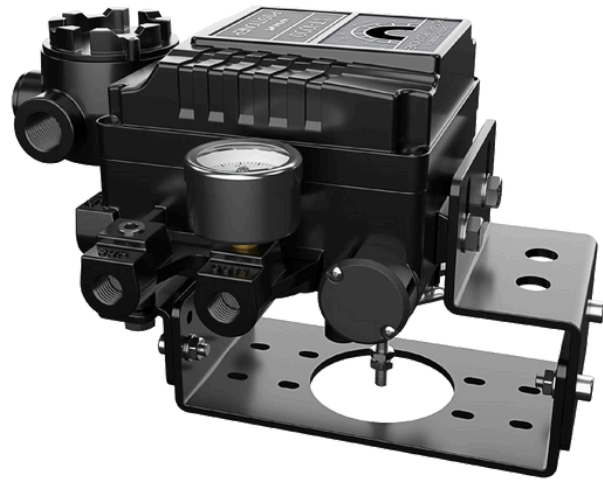
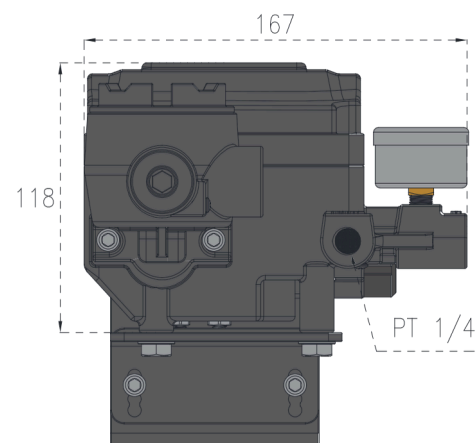
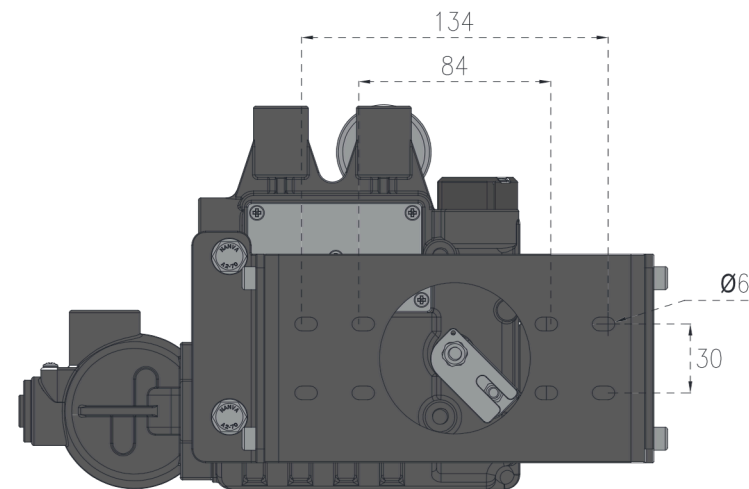
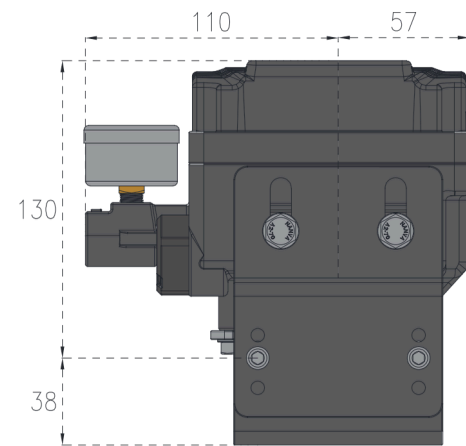
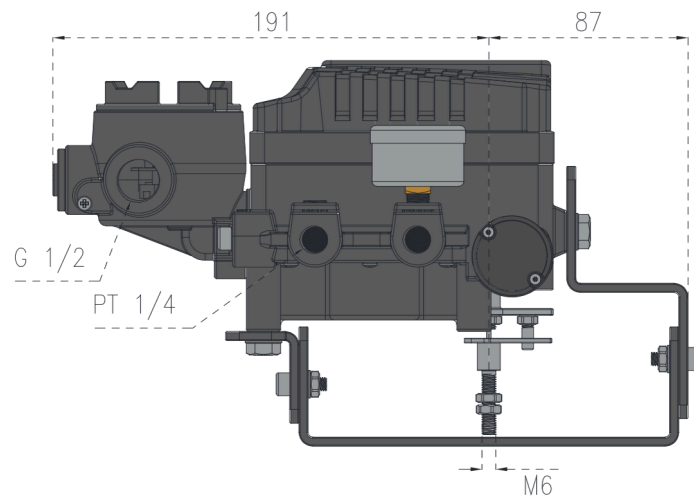


VMAL Electro-Pneumatic Positioner Valve

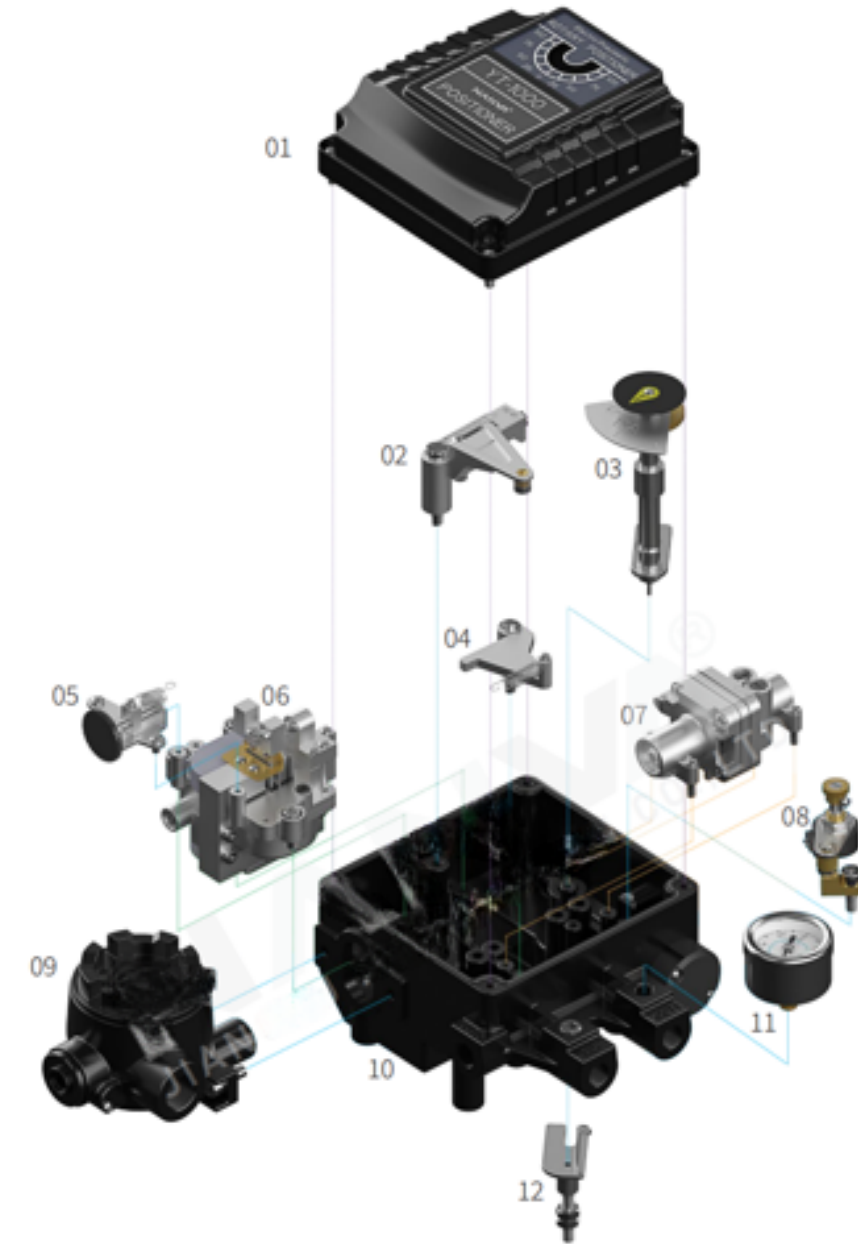


Model number VYT-1000R
 Input signal 4-20mA DC
 Range of travel 0~90°
 Ambient temperature -20~+70°C
 Hysteresis ±1%F.S
 Sensitivity ±0.2%F.S / ±0.5%F.S
 Class of protection IP66
 Air consumption 2.5LPM (sup=0.14mpa)

Shape And Connection Size



Materials For Main Parts



ID	Quantity	Part name	Main material
01	1	Upper end cover	Aluminium alloy
02	1	Range regulation	Aluminium alloy
03	1	Feedback shaft	Stainless steel
04	1	Connector	Aluminium alloy
05	1	Zero adjustment	Stainless steel
06	1	Torque motor	Aluminium alloy

ID	Quantity	Part name	Main material
07	1	Pilot valve	Aluminium alloy
08	1	Potentiometer	Composite material
09	1	Junction box	Aluminium alloy
10	1	Main body	Aluminium alloy
11	1	Pressure gage	Stainless steel
12	1	Forked lever	Stainless steel