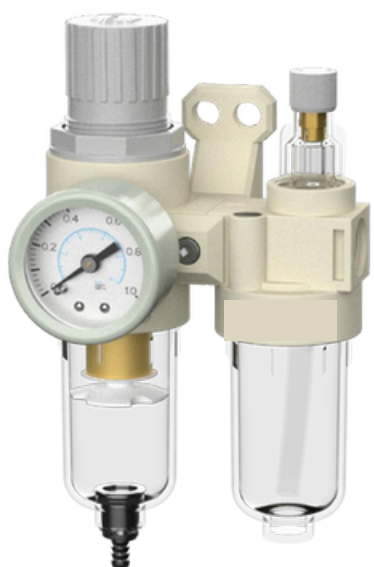
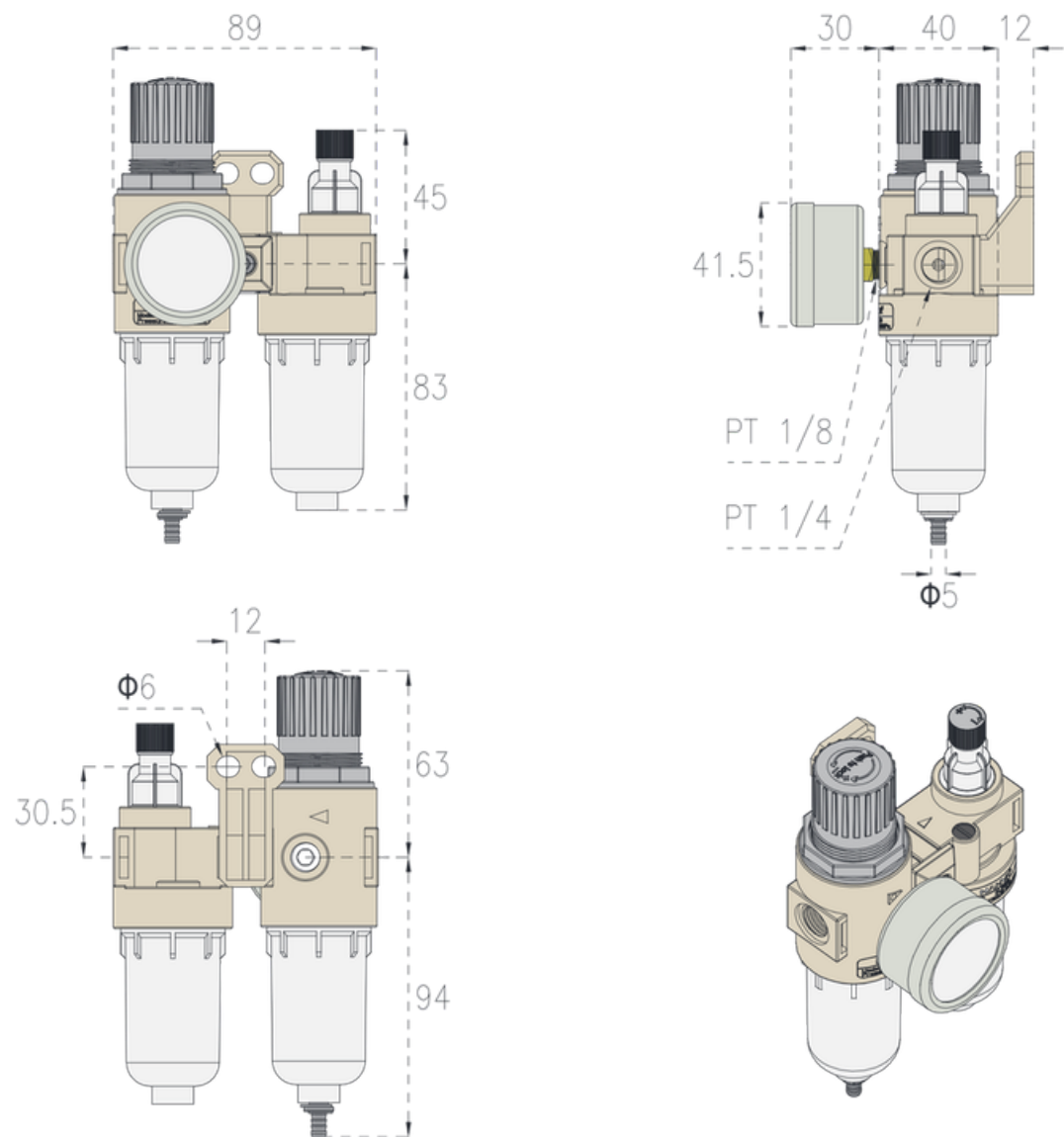


Air source pressure regulating filter



Model number VAFR-2000
 Medium Air
 Voltage regulation range 0.15~0.8Mpa
 Filtration accuracy: 40µm
 Ambient temperature: -5~+60°C
 Suggested oil: ISOVG32
 Filter cup capacity: 60cc

Shape And Connection Size



Materials For Main Parts

ID	Quantity	Part name	Main material
01	1	Pressure adjusting knob	POM
02	1	Retaining nut	POM
03	1	Pressure regulating nuts	Steel
04	1	Pressure regulating spring	Steel
05	1	Pressure regulating diaphragm	NR + Steel
06	1	Pressure regulating housing	Pack alloy
07	1	Manometer	Conforming material
08	1	Return spring	Stainless steel
09	1	Filter element	Cu
10	1	Filter bracket	ABS
11	2	Sealing ring	NR
12	1	Water glass	PC
13	1	Drainer	Stainless steel
14	1	Connecting bracket	Pack alloy
15	1	Oil screw	Carbon steel
16	2	Support seal	NR
17	1	Set screw	Stainless steel
18	1	Oil adjusting knob	POM
19	1	Fuel window	PC
20	1	Oil regulator	Cu + PC
21	1	Oil adjusting diaphragm	NR
22	1	Oil regulating housing	Pack alloy
23	1	Oil pipe	Nylon
24	1	Oil cup	PC

