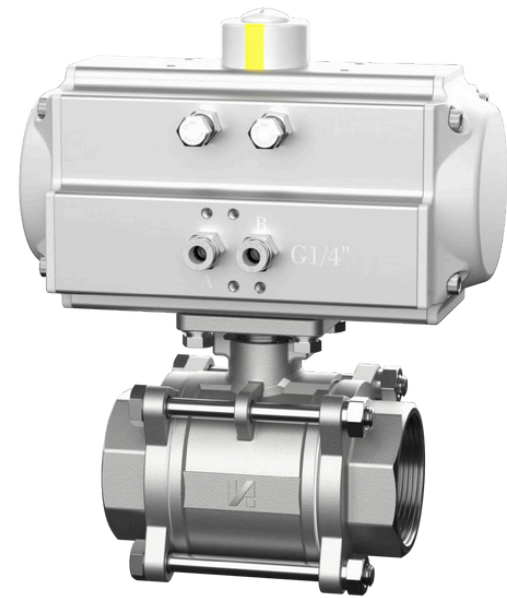


Pneumatic stainless steel three-piece ball valve with internal thread



Model number VMQ611F-16P3 (PTFE+SUS304)  
VMQ611M-16P3 (PPL+SUS304)  
VMQ611F-16R3 (PTFE+SUS316)  
VMQ611M-16R3 (PPL+SUS316)

Design standard GB/T12237-2007,API-607/608

Applicable temperature -20~+150°C/-18~+260°C

Air source pressure 0.4~0.75Mpa

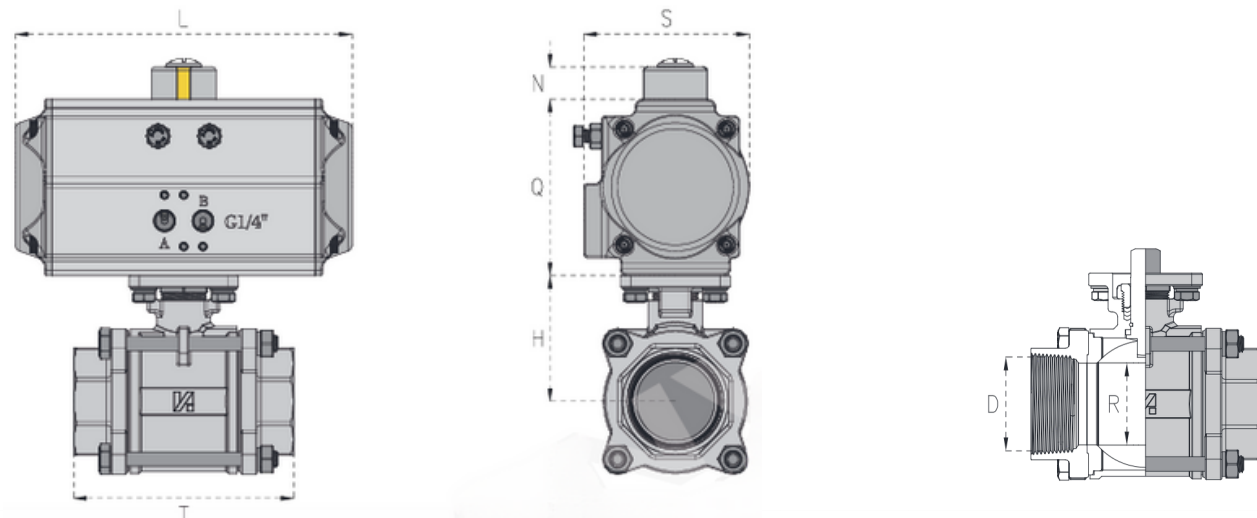
Connection form Internal thread

Connection standard NPT / G / RC / BSPT

Test pressure 1.76Mpa ( Watertight seal) / 0.6Mpa ( air-tight seal)

Structural characteristics

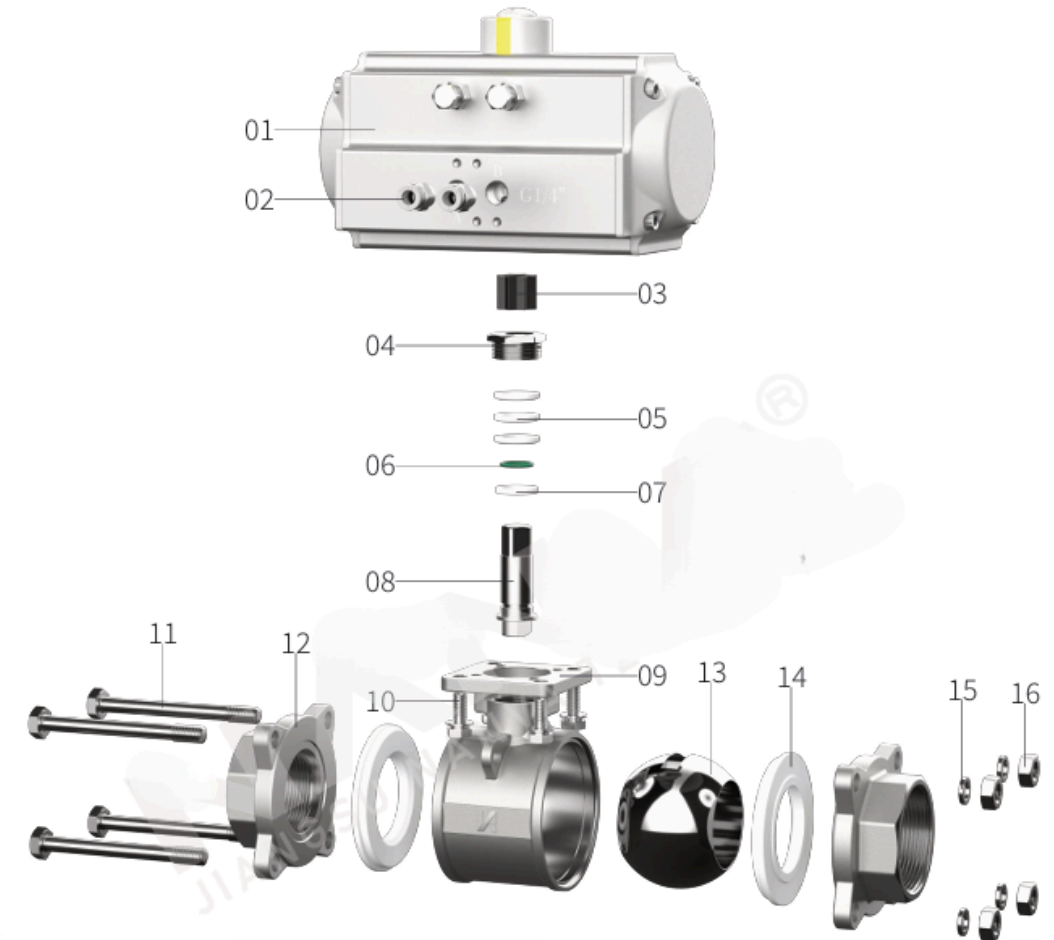
Shape And Connection Size



specification	Actuator type matching	dimensioning code			pressure: 1.6mpa		unit: mm		
		L	T	S	N	Q	H	D	R
DN8	AT32	106	74	45	20	46	44	BSPT 1/4"	8
DN8	AT40	124	74	65	20	61	44	BSPT 1/4"	8
DN8	AT52	147	74	71.5	20	72	44	BSPT 1/4"	8
DN10	AT32	106	73	45	20	46	44	BSPT 3/8"	10
DN10	AT40	124	73	65	20	61	44	BSPT 3/8"	10
DN10	AT52	147	73	71.5	20	72	44	BSPT 3/8"	10
DN15	AT32	106	69	45	20	46	44	BSPT 1/2"	15
DN15	AT40	124	69	65	20	61	44	BSPT 1/2"	15
DN15	AT52	147	69	71.5	20	72	44	BSPT 1/2"	15
DN20	AT52	147	80	71.5	20	72	49	BSPT 3/4"	20
DN25	AT52	147	88	71.5	20	72	56	BSPT 1"	25
DN25	AT63	168	88	83	20	88	56	BSPT 1"	25
DN32	AT63	168	100	83	20	88	61	BSPT 1 1/4"	32
DN40	AT75	186	110.5	95	20	99.5	73	BSPT 1 1/2"	38
DN50	AT83	212	136	103	20	108.7	80	BSPT 2"	49
DN65	AT92	262	168	108.5	20	116.5	98	BSPT 2 1/2"	65
DN80	AT105	268	194	121.5	20	133	109	BSPT 3"	80
DN100	AT125	301	240	142	30	155	127	BSPT 4"	100

Actuator matching is for reference only, please contact the manufacturer for more diameter sizes or other sizes.

Materials For Main Part



ID	Quantity	Part name	Main material
01	1	Pneumatic actuator	
02	2	Air connection	
03	0/1	Octagonal bushing	Powder metallurgy
04	1	Pressing cap	SUS304 / SUS316
05	3	Padding	PTFE / PPL
06	1	O-ring	FKM / EPDM
07	1	Prevent push gasket	PTFE
08	1	Valve shaft	SUS304 / SUS316

ID	Quantity	Part name	Main material
09	1	Valve body	SUS304 / SUS316
10	4	Combination screw	SUS304
11	4	Valve side cover nut	SUS304
12	2	Valve side cover	SUS304 / SUS316
13	1	Ball	SUS304 / SUS316
14	2	Valve seal	PTFE
15	4	Bounce pads	SUS304
16	4	Nut	SUS304