



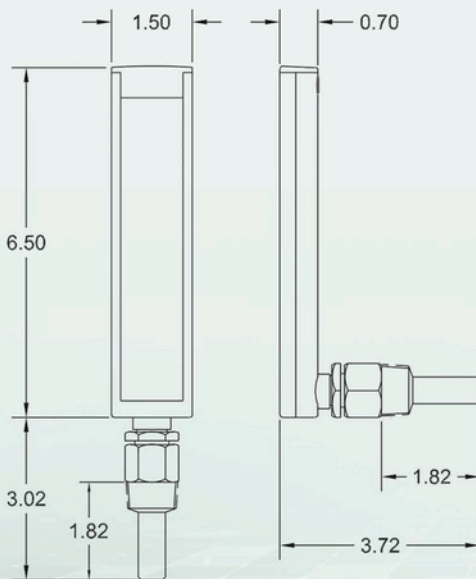
# 5" CONTRACTOR' S THERMOMETER



## General Specifications

- CASE: Aluminum alloy or Rigid gray ABS plastic.
- LENS: Glass.
- SCALE: Aluminum with white finish and black markings. Scale is V-shaped for maximum readability.
- TUBE: Lens front, blue spirit filled, non-toxic.
- STEM: Brass.
- JAM NUT: Brass.
- THERMOWELL: Brass, 1/2" NPT, with 1-1/2" immersion length for pressurized systems.
- ACCURACY:  $\pm 1$  scale division.
- AMBIENT TEMPERATURE:  $-40$  to  $140^{\circ}\text{F}$  ( $-40$  to  $60^{\circ}\text{C}$ ).

## Dimensions(in.)



ValveLink Europe Ent

**VALVE**Link  
All your process control needs