

Two-Position Two-Way Solenoid Valve

VMR2W/S (Large Orifice)

Various material for you chose,
Reasonable design , Reliable quality



Ordering Code

VMR	-	2W	-	160	-	15	-	K	-		-	
RFS product		Valve body 2W Brass 2S stainless steel		Orifice 160 16mm 200 20mm 250 25mm 350 35mm 400 40mm 500 50mm		Connection port 10 (15) 3/8" 1/2" 20 3/4" 25 1" 35 1 1/4" 40 1 1/2" 50 2"		Initial state Blank normal close K normal open		Standard voltage DC12V DC24V AC24V AC36V AC110V AC220V		Seal code Blank NBR H VITON E EPDM

Parameters

Model	Media	Working type	Pattern	Orifice (mm)	Cv Value	Connection ports	Fluid viscosity	Working pressure (MPa)	Max. pressure (MPa)	Working temp (°C)	Rated voltage	Power	Valve body material	Seal material
VMR2W160-10	Air Water Oil	Direct action	Normally close	16	4.8	3/8"	< 20CST	0-0.7	1.0	-5-80	DC12-24V AC24V-380V ±10%	DC23.4W AC26VA DC40W AC50VA	Brass Stainless steel	NBR EPDM VITON
VMR2W160-15				16	4.8	1/2"								
VMR2W200-20				20	7.6	3/4"								
VMR2W250-25				25	12	1"								
VMR2W350-35				35	24	1 1/4"								
VMR2W400-40				40	29	1 1/2"								
VMR2W500-50	50	48	2"											

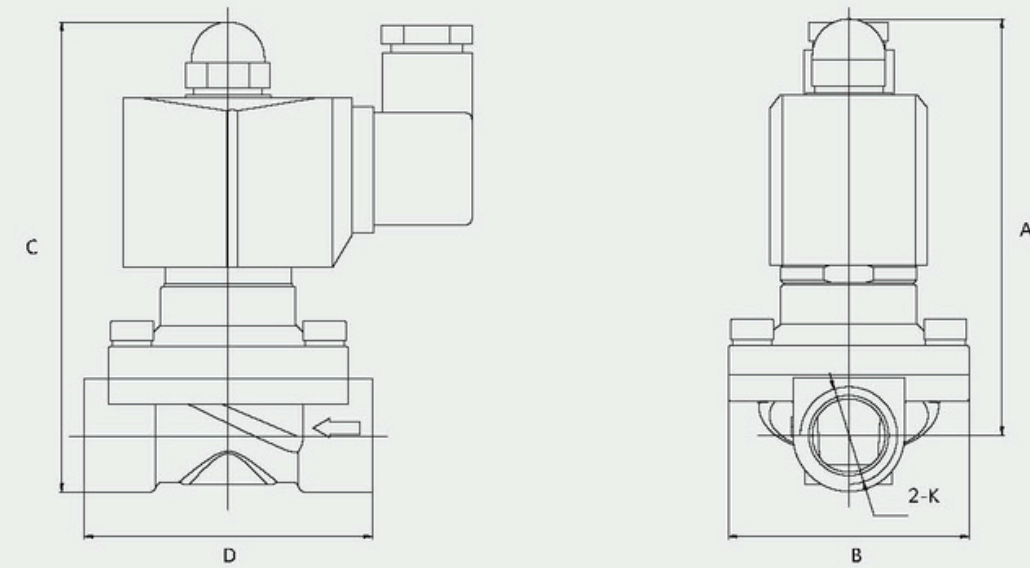
Overall Dimension

Speciality

- Direct acting, diaphragm structure, can be work at zero pressure, expanding the using area.
- Plate diaphragm structure, high reliability, long life.
- Valve body can be made from brass, stainless steel.
- plastic encapsulating coil , be able to use under numerous environment.



Overall Dimension



Model	A	B	C	D	K
VMR2W160-10	97	57	110	66	G3/8
VMR2W160-15	97	57	110	66	G1/2
VMR2W200-20	106	57	115	70	G3/4
VMR2W250-25	106	73	122	99	G1
VMR2W350-35	136	90.5	167	124	G1-1/4
VMR2W400-40	136	90.5	167	124	G1-1/2
VMR2W500-50	151	124	186	164	G2



All your process control needs

Valvelink Co., Ltd. (VIETNAM)

Address: 399 Nguyen Thi Kieu Street, Tan Thoi Hiep Ward, Ho Chi Minh City, Vietnam

Hotline: +84 933 603 406

WhatsApp: +84 979128773

Email: contact@valvelink.vn / tech@valvelink.vn

Website: valvelink.vn

Valvelink Europe Ent (EUROPE)

Address: Via Roma 108, Cassina de Pecchi, 20060, Milan, Italy

Hotline: +90-2123818702

WhatsApp: +84 979128773 / +84 933 603 406

Email: sales@valvelink.eu

Website: valvelink.eu

Website



WhatsApp



Valvelink Sdn Bhd (ASEAN)

Address: 1-20-02, M-City Ampang, Jalan Ampang, 57450 Kuala Lumpur, Malaysia

Hotline: +60-173700361

WhatsApp: +84 979128773 / +84 933 603 406

Email: sales@valvelink.asia

Website: valvelink.asia

Boon (tianjin) Environment Technology Industry Co.,Ltd. (CHINA)

Address: Unit B, 1F, Building A, No. 5 Ziyang Road, Nankai District, Tianjin, China

Hotline: +84 979128773

WhatsApp: +84 933 603 406

Email: sales@valvelink.asia

Website: valvelink.com.cn