

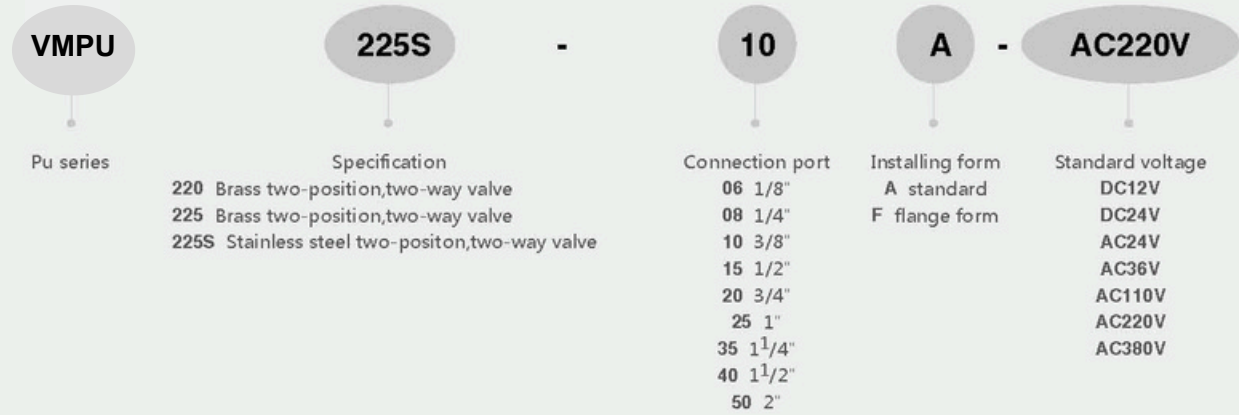
➤ PU series Two-Position Two-way Solenoid valve

VMPU

Compact and good appearance, small dimension
It can work at low pressure
Coil made from thermosetting plastic encapsulating



Ordering Code



Parameters

Model	Media	Working type	Pattern	Orifice (mm)	Cv Value	Connection ports	Medium viscosity	Working pressure	Max. pressure	Rated voltage	Power	Working temp
VMPU225-10A	Air Water Oil	Direct Action / Pilot Type	Normally close	13	4.5	3/8"	< 50CST	0.5 ~10bar	12bar	DC12-24V AC24V-380V ±10%	DC22W AC27VA	-5 ~ 80°C
VMPU225-15A				13	4.5	1/2"						
VMPU225-20A				25	12	3/4"						
VMPU225-25A				25	12	1"						
VMPU225-35A				38	22	1 1/4"						
VMPU225-40A				38	30	1 1/2"						
VMPU225-50A				50	48	2"						

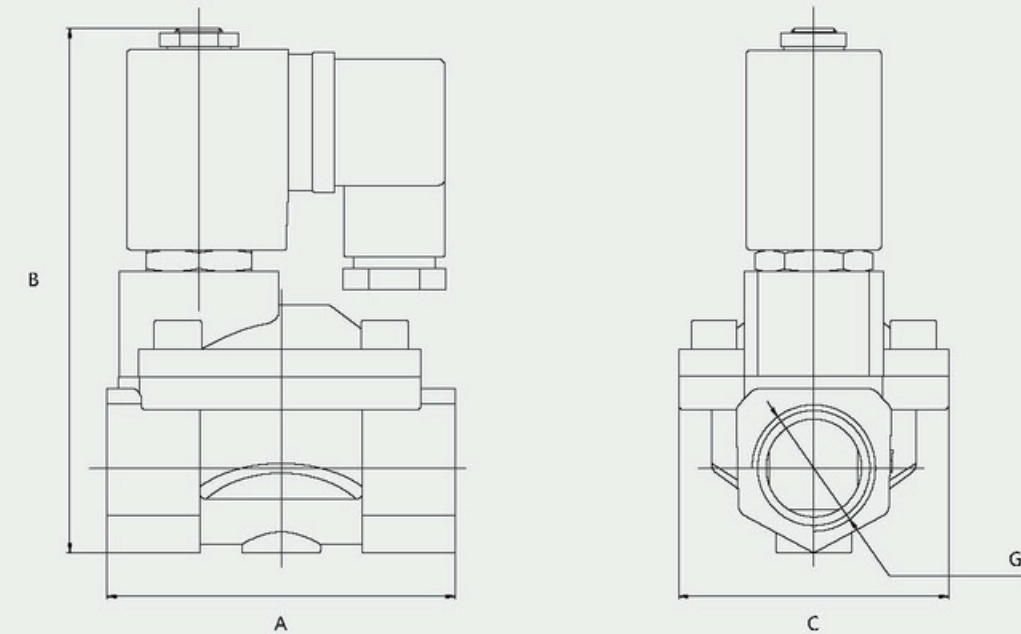
Overall Dimension

Speciality

- Compact and good appearance, small dimension
- Direct acting, diaphragm structure, it can work at low pressure
- Coil made from thermosetting plastic encapsulating, the protection class IP65,the temperature class can reach H Class.



Overall Dimension

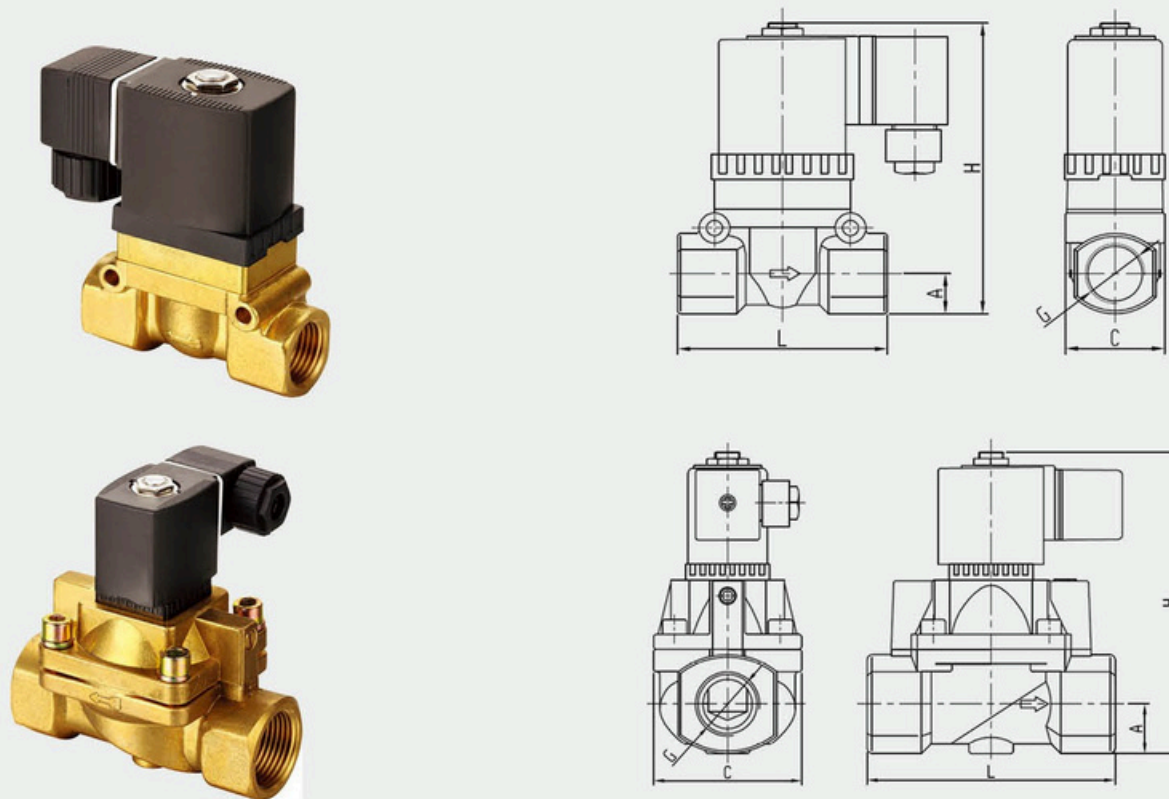


Model	A	B	C	G
VMPU225-10A	66.5	106.5	48.0	G3/8"
VMPU225-15A	66.5	106.5	48.0	G1/2"
VMPU225-20A	96.0	126.0	70.0	G3/4"
VMPU225-25A	96.0	126.0	70.0	G1"
VMPU225-35A	131.0	145.5	96.0	G1 1/4"
VMPU225-40A	131.0	145.5	96.0	G1 1/2"
VMPU225-50A	160	160.0	112.0	G2"

Specification

Model	Orifice	Connection ports	Working pressure	Ambient Temp.	Medium Temp.	Kv value (m3/h)	Power consumption		Response Frequency	Voltage
							AC(VA)	DC(W)		
VMSB116-41308	13mm	G1/4"	0.1 ~1.6MPa	-20~+55°C	-10~180°C	3.6	20	13	≥ 1Hz	DC12V DC24V AC24V AC36V AC110V AC220V AC380V ±10%
VMSB116-41310	13mm	G3/8"				3.6	20	13	≥ 1Hz	
VMSB116-41315	13mm	G1/2"				3.6	20	13	≥ 1Hz	
VMSB116-41320	25mm	G3/4"				11	20	13	≥ 0.5Hz	
VMSB116-41325	25mm	G1"				11	20	13	≥ 0.5Hz	

Overall Dimension

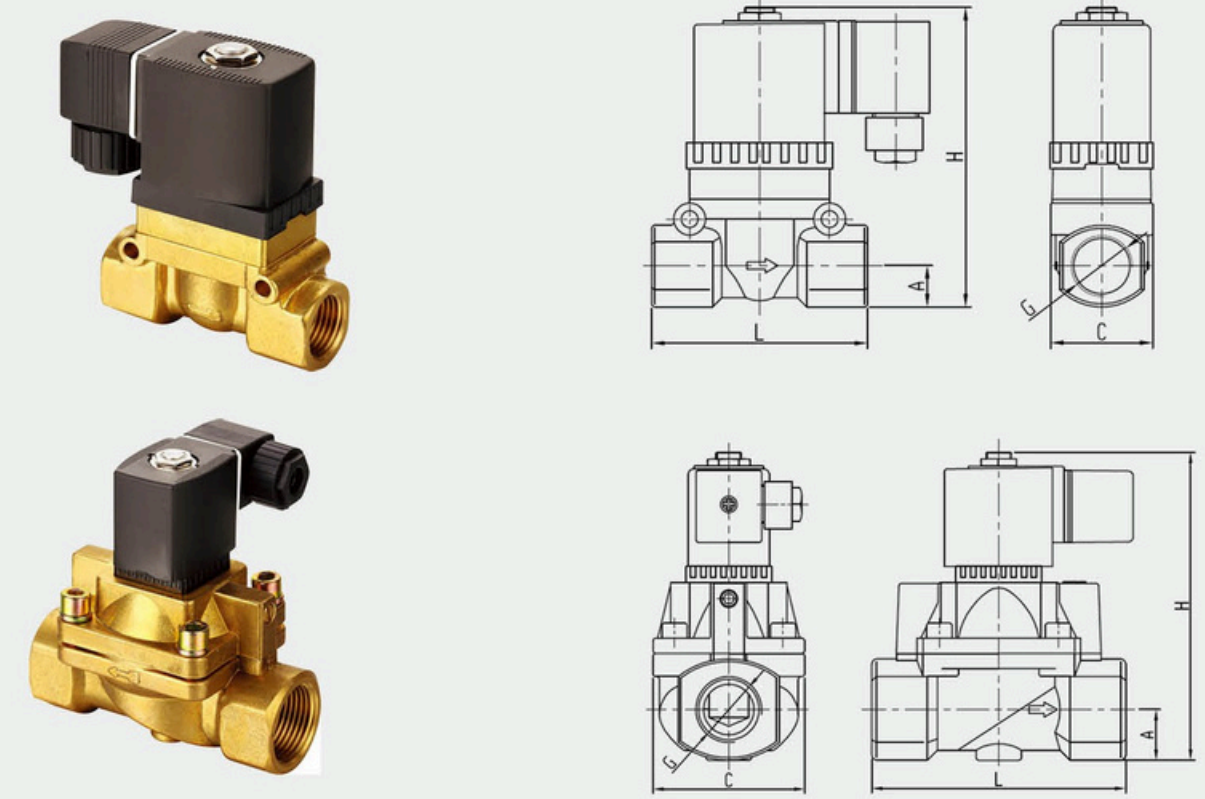


Model	G	K	L	B	A
VMSB116-41308	G1/4"	33.5	72	98	13
VMSB116-41310	G3/8"	33.5	72	98	13
VMSB116-41315	G1/2"	33.5	72	98	13
VMSB116-41320	G3/4"	60	100	120	20
VMSB116-41325	G1"	60	100	120	20

Specification

Model	Orifice	Connection ports	Working pressure	Ambient Temp.	Medium Temp.	Kv value (m3/h)	Power consumption		Response Frequency	Voltage
							AC(VA)	DC(W)		
VMSB116-51308	13mm	G1/4"	0.1 ~4.0MPa	-20~+55°C	0~+90°C	2.52	20	13	≥ 1Hz	DC12V DC24V AC24V AC36V AC110V AC220V AC380V ±10%
VMSB116-51310	13mm	G3/8"				2.52	20	13	≥ 1Hz	
VMSB116-51315	13mm	G1/2"				2.52	20	13	≥ 1Hz	
VMSB116-52520	25mm	G3/4"				5.0	20	13	≥ 0.5Hz	
VMSB116-52525	25mm	G1"				8.5	20	13	≥ 0.5Hz	

Overall Dimension



Model	G	K	L	B	A
VMSB116-41308	G1/4"	33.5	72	85	13
VMSB116-41310	G3/8"	33.5	72	85	13
VMSB116-41315	G1/2"	33.5	72	85	13
VMSB116-42520	G3/4"	60	100	120	20
VMSB116-42525	G1"	60	100	120	20



All your process control needs

Valvelink Co., Ltd. (VIETNAM)

Address: 399 Nguyen Thi Kieu Street, Tan Thoi Hiep Ward, Ho Chi Minh City, Vietnam

Hotline: +84 933 603 406

WhatsApp: +84 979128773

Email: contact@valvelink.vn / tech@valvelink.vn

Website: valvelink.vn

Valvelink Europe Ent (EUROPE)

Address: Via Roma 108, Cassina de Pecchi, 20060, Milan, Italy

Hotline: +90-2123818702

WhatsApp: +84 979128773 / +84 933 603 406

Email: sales@valvelink.eu

Website: valvelink.eu

Website



WhatsApp



Valvelink Sdn Bhd (ASEAN)

Address: 1-20-02, M-City Ampang, Jalan Ampang, 57450 Kuala Lumpur, Malaysia

Hotline: +60-173700361

WhatsApp: +84 979128773 / +84 933 603 406

Email: sales@valvelink.asia

Website: valvelink.asia

Boon (tianjin) Environment Technology Industry Co.,Ltd. (CHINA)

Address: Unit B, 1F, Building A, No. 5 Ziyang Road, Nankai District, Tianjin, China

Hotline: +84 979128773

WhatsApp: +84 933 603 406

Email: sales@valvelink.asia

Website: valvelink.com.cn