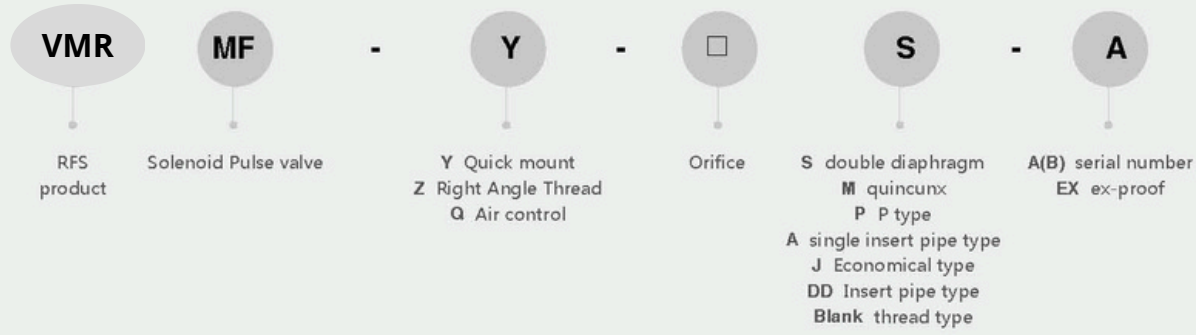


➤ Right Angle Pulse Jet Valve

- Introduction of advanced international technology and make some improvements
- Pulse Valve used for controlling the compressed air of dust remover filter system
- The key components adopt advanced material
- Pneumatic control type, solenoid control type and Ex-proof solenoid control type for optional
- Female thread connection port, it is easy for installing



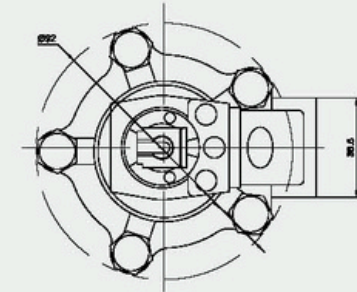
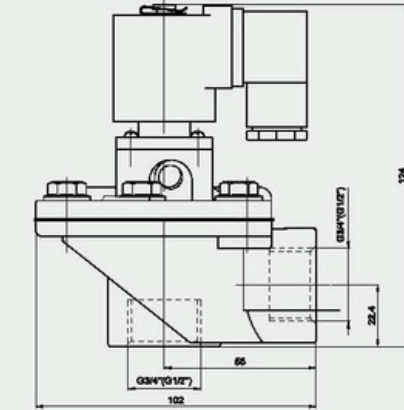
Ordering Code



Parameters

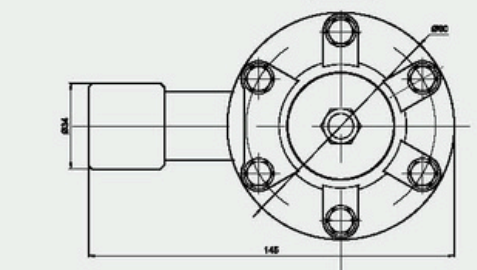
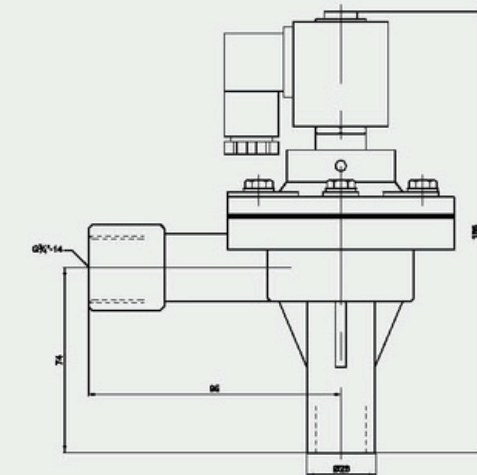
Model	Working pressure	Ambient Temp.	Relative Humidity	Media	Voltage	Power	Diaphragm Life	Orifice	Connection ports						
VMRMF-Z-15M	0.3 ~ 0.8MPa	-5 ~ 55° C	< 85%	Clean Air	AC110V AC220V DC24V ±10%	DC20W AC25VA	Over one Million cycles	Φ15mm	G1/2"						
VMRMF-Z-20M								Φ20mm	G3/4"						
VMRMF-Z-20J						DC12W AC15VA		Φ20mm	G3/4"						
VMRMF-Z-25J								Φ25mm	G1"						
VMRMF-Z-20A						DC20W AC25VA		Φ20mm	G3/4"						
VMRMF-Z-20P								Φ25mm	G1"						
VMRMF-Z-25P						DC21W AC18VA		Φ20mm	G3/4"						
VMRMF-Z-20								Φ25mm	G1						
VMRMF-Z-25						DC20W/AC25VA		Φ35mm	G1 1/2"						
VMRMF-Z-35P								Φ40mm	G1 1/2"						
VMRMF-Z-40S						DC20W/AC25VA		Φ45mm	G1 1/2"						
VMRMF-Z-45P								Φ50mm	G2"						
VMRMF-Z-50S						DC30W/AC28VA		Φ50mm	G2"						
VMRMF-Z-50S-A								Φ62mm	G2 1/2"						
VMRMF-Z-62S						DC20W/AC25VA		Φ62mm	G2 1/2"						
VMRMF-Z-62S-A								Φ76mm	G3"						
VMRMF-Z-76S						DC30W/AC28VA		Φ25mm	Φ35						
VMRMF-25DD								Φ40mm	Φ50						
VMRMF-45DD						DC20W AC25VA									

Right Angle Solenoid Pulse Valve



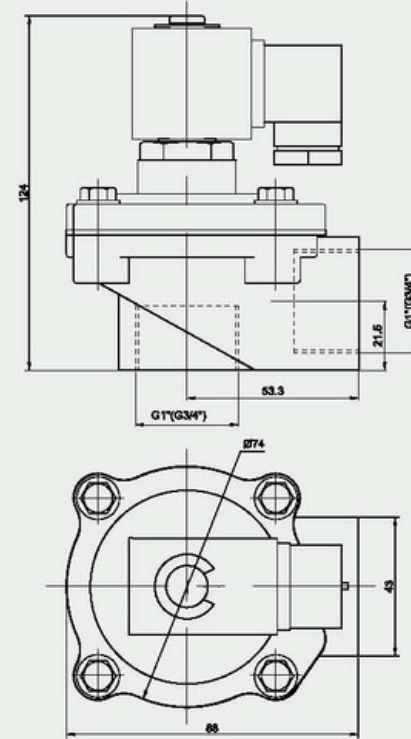
Model	VMRMF-Z-15M	VMRMF-Z-20M
Working-pressure	0.3 ~ 0.8MPa	
Ambient Temperature	-5 ~ 55°C	
Relative Humidity	< 85%	
Working Medium	Clean Air	
Voltage	AC110V / AC220V / DC24V	
Diaphragm Life	Over One Million Cycles	
Orifice	φ 15	φ 20
Connection Port	G1/8"	G3/4"

Right Angle Solenoid Pulse Valve



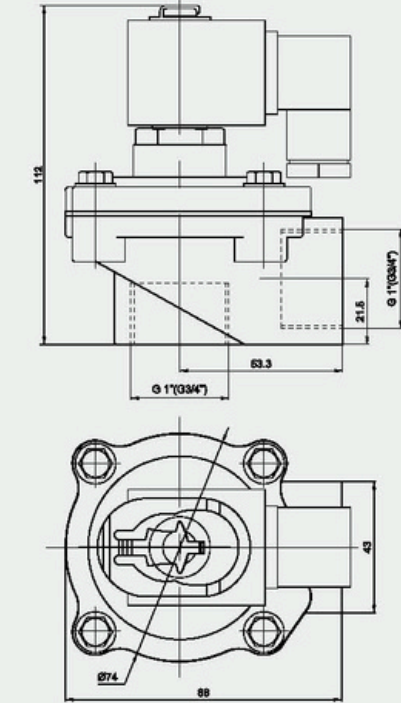
Model	VMRMF-Z-20A
Working-pressure	0.3 ~ 0.8MPa
Ambient Temperature	-5 ~ 55°C
Relative Humidity	< 85%
Working Medium	Clean Air
Voltage	AC110V / AC220V / DC24V
Diaphragm Life	Over One Million Cycles
Orifice	φ 20
Connection Port	G3/4"

Right Angle Solenoid Pulse Valve



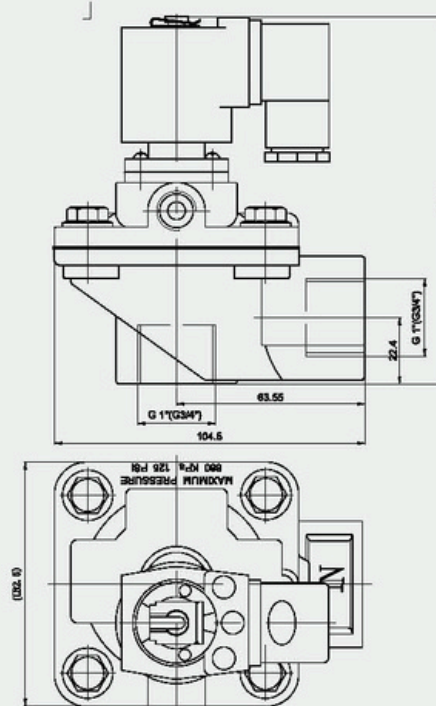
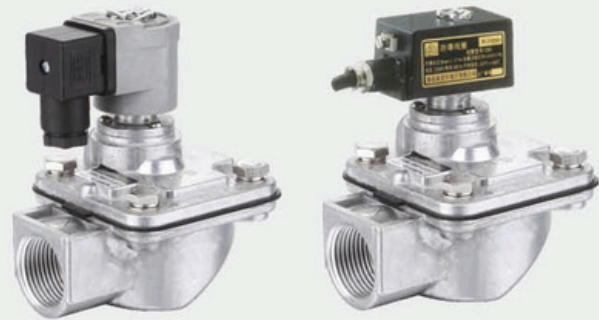
Model	VMRMF-Z-20J	VMRMF-Z-25J
Working-pressure	0.3 ~ 0.8MPa	
Ambient Temperature	-5 ~ 55°C	
Relative Humidity	< 85%	
Working Medium	Clean Air	
Voltage	AC110V / AC220V / DC24V	
Diaphragm Life	Over One Million Cycles	
Orifice	φ 20	φ 25
Connection Port	G3/4"	G1"

Right Angle Solenoid Pulse Valve



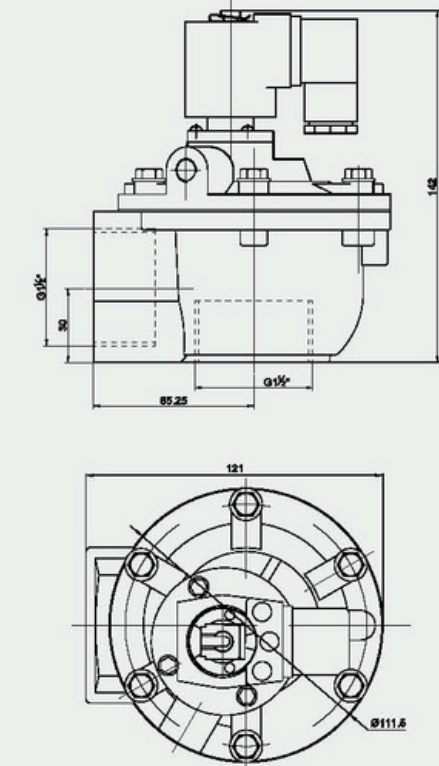
Model	VMRMF-Z-25	VMRMF-Z-20
Working-pressure	0.3 ~ 0.8MPa	
Ambient Temperature	-5 ~ 55°C	
Relative Humidity	< 85%	
Working Medium	Clean Air	
Voltage	AC110V / AC220V / DC24V	
Diaphragm Life	Over One Million Cycles	
Orifice	φ 25	φ 20
Connection Port	G1"	G3/4"

Right Angle Solenoid Pulse Valve



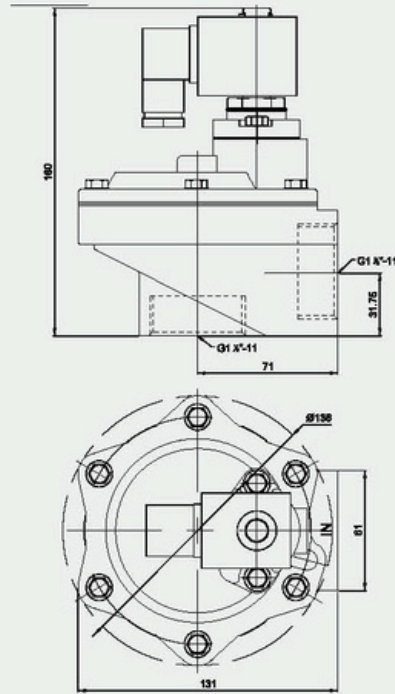
Model	VMRMF-Z-25P	VMRMF-Z-20P
Working-pressure	0.3 ~ 0.8MPa	
Ambient Temperature	-5 ~ 55°C	
Relative Humidity	< 85%	
Working Medium	Clean Air	
Voltage	AC110V / AC220V / DC24V	
Diaphragm Life	Over One Million Cycles	
Orifice	φ 25	φ 20
Connection Port	G1"	G3/4"

Right Angle Solenoid Pulse Valve



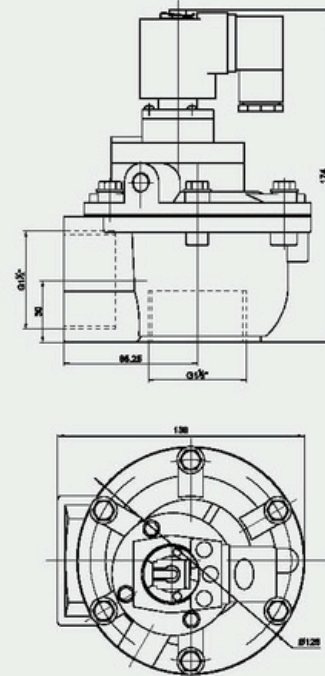
Model	VMRMF-Z-35P
Working-pressure	0.3 ~ 0.8MPa
Ambient Temperature	-5 ~ 55°C
Relative Humidity	< 85%
Working Medium	Clean Air
Voltage	AC110V / AC220V / DC24V
Diaphragm Life	Over One Million Cycles
Orifice	φ 35
Connection Port	G1-1/2"

Right Angle Solenoid Pulse Valve



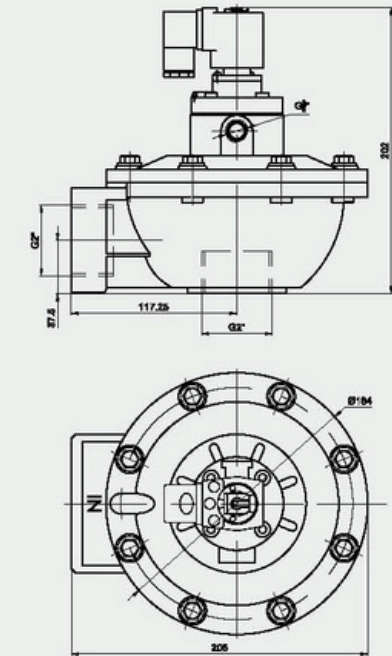
Model	VMRMF-Z-40SJ
Working-pressure	0.3 ~ 0.8MPa
Ambient Temperature	-5 ~ 55°C
Relative Humidity	< 85%
Working Medium	Clean Air
Voltage	AC110V / AC220V / DC24V
Diaphragm Life	Over One Million Cycles
Orifice	φ 40
Connection Port	G1 1/2"

Right Angle Solenoid Pulse Valve



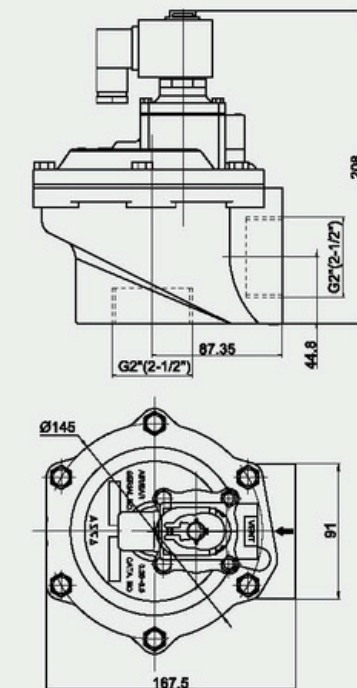
Model	VMRMF-Z-45P
Working-pressure	0.3 ~ 0.8MPa
Ambient Temperature	-5 ~ 55°C
Relative Humidity	< 85%
Working Medium	Clean Air
Voltage	AC110V / AC220V / DC24V
Diaphragm Life	Over One Million Cycles
Orifice	φ 45
Connection Port	G1 1/2"

Right Angle Solenoid Pulse Valve



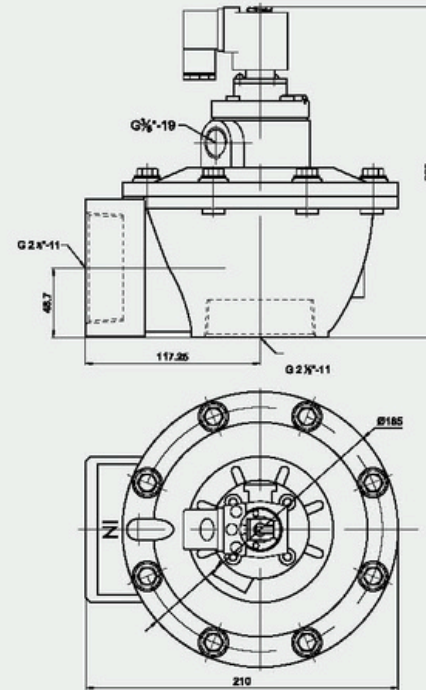
Model	VMRMF-Z-50S
Working-pressure	0.3 ~ 0.8MPa
Ambient Temperature	-5 ~ 55°C
Relative Humidity	< 85%
Working Medium	Clean Air
Voltage	AC110V / AC220V / DC24V
Diaphragm Life	Over One Million Cycles
Orifice	φ 50
Connection Port	G2"

Right Angle Solenoid Pulse Valve



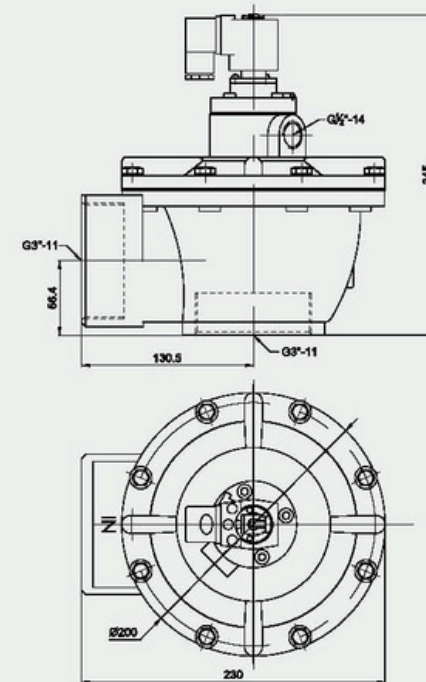
Model	VMRMF-Z-50S-A	VMRMF-Z-62S-A
Working-pressure	0.3 ~ 0.8MPa	
Ambient Temperature	-5 ~ 55°C	
Relative Humidity	< 85%	
Working Medium	Clean Air	
Voltage	AC110V / AC220V / DC24V	
Diaphragm Life	Over One Million Cycles	
Orifice	φ 50	φ 62
Connection Port	G2"	G2-1/2"

Right Angle Solenoid Pulse Valve



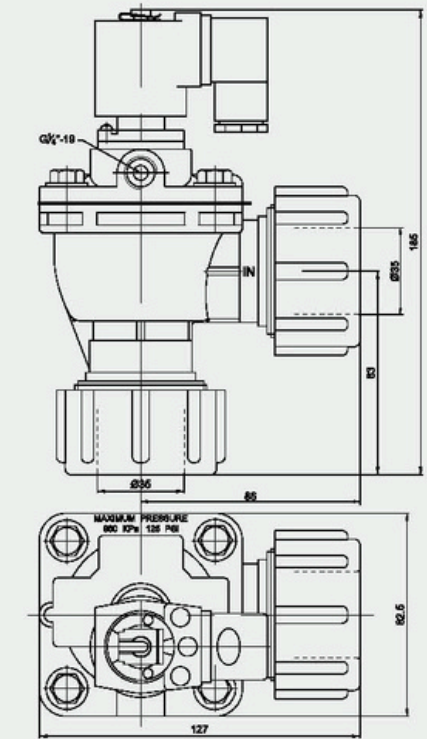
Model	VMRMF-Z-62S
Working-pressure	0.3 ~ 0.8MPa
Ambient Temperature	-5 ~ 55°C
Relative Humidity	< 85%
Working Medium	Clean Air
Voltage	AC110V / AC220V / DC24V
Diaphragm Life	Over One Million Cycles
Orifice	φ 62
Connection Port	G2-1/2"

Right Angle Solenoid Pulse Valve



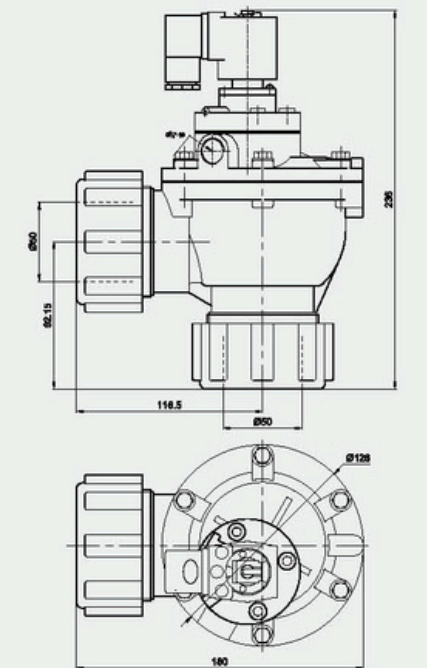
Model	VMRMF-Z-76S
Working-pressure	0.3 ~ 0.8MPa
Ambient Temperature	-5 ~ 55°C
Relative Humidity	< 85%
Working Medium	Clean Air
Voltage	AC110V / AC220V / DC24V
Diaphragm Life	Over One Million Cycles
Orifice	φ 76
Connection Port	G3"

Right Angle (DD Type) Solenoid Pulse Valve



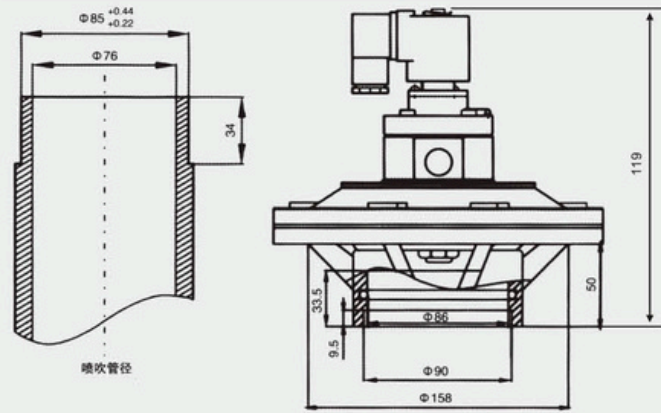
Model	VMRMF-25DD
Working-pressure	0.3 ~ 0.8MPa
Ambient Temperature	-5 ~ 55°C
Relative Humidity	< 85%
Working Medium	Clean Air
Voltage	AC110V / AC220V / DC24V
Diaphragm Life	Over One Million Cycles
Orifice	φ 25
Connection Port	φ 35

Right Angle (DD Type) Solenoid Pulse Valve



Model	VMRMF-45DD
Working-pressure	0.3 ~ 0.8MPa
Ambient Temperature	-5 ~ 55°C
Relative Humidity	< 85%
Working Medium	Clean Air
Voltage	AC110V / AC220V / DC24V
Diaphragm Life	Over One Million Cycles
Orifice	φ 40
Connection Port	φ 50

Solenoid Pulse Valve



Model	VMRMF-Y-86S
Working-pressure	0.3 ~ 0.8MPa
Ambient Temperature	-5 ~ 55°C
Relative Humidity	< 85%
Working Medium	Clean Air
Voltage	AC110V / AC220V / DC24V
Diaphragm Life	Over One Million Cycles
Orifice	$\phi 80$
Connection Port	$\phi 90$

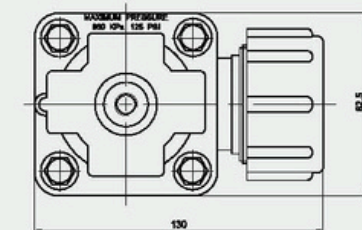
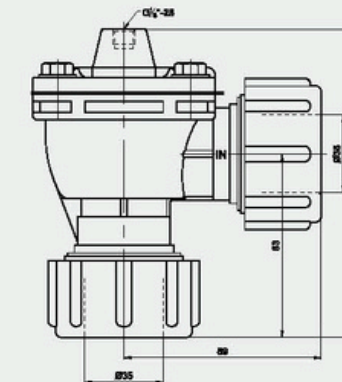
➤ Air Control Pulse Jet Valve



Parameters

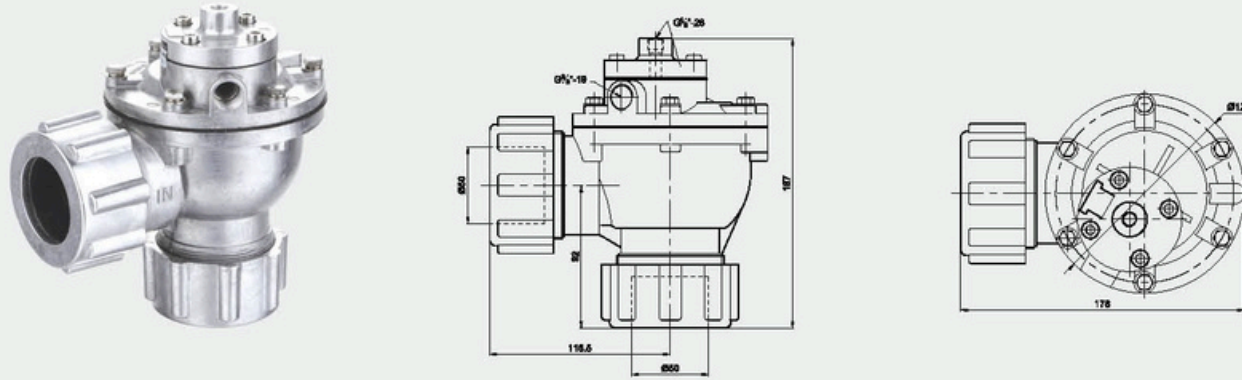
Model	Working pressure	Ambient Temp	Relative Humidity	Media	Diaphragm Life	Orifice	Connection ports
VMRMF-Q-25DD	0.3 ~ 0.8MPa	-5 ~ 55°C	< 85%	Clean Air	Over one Million cycles	$\phi 25$	$\phi 35$
VMRMF-Q-45DD						$\phi 45$	$\phi 50$
VMRMF-Q-20P						$\phi 20$	G3/4"
VMRMF-Q-25P						$\phi 25$	G1"
VMRMF-ZQ-45P						$\phi 45$	G1-1/2"
VMRMF-ZQ-50S						$\phi 50$	G2"
VMRMF-ZQ-62S						$\phi 62$	G2-1/2"
VMRMF-ZQ-76S						$\phi 76$	G3"
VMRMF-YQ-50S						$\phi 50$	$\phi 62.5$
VMRMF-YQ-62S						$\phi 62$	$\phi 76$
VMRMF-YQ-76S	$\phi 76$	$\phi 90$					

Right Angle (DD type) Air Control Pulse Valve



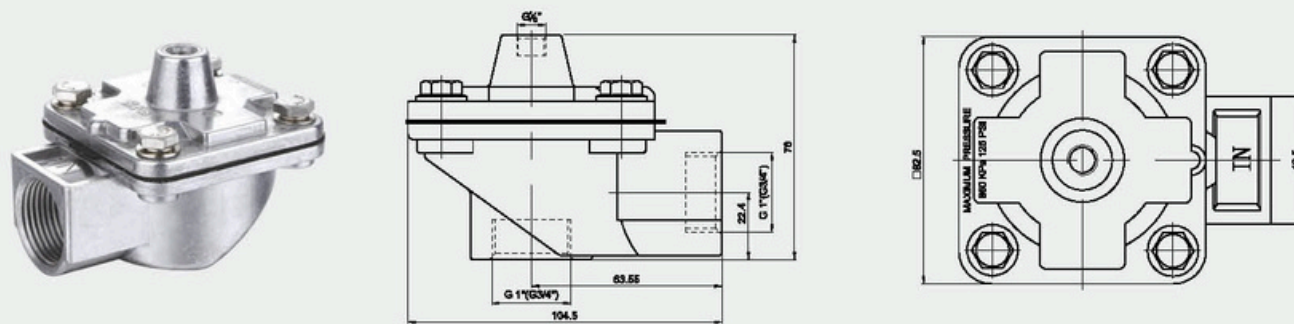
Model	VMRMF-Q-25DD
Working-pressure	0.3 ~ 0.8MPa
Ambient Temperature	-5 ~ 55°C
Relative Humidity	< 85%
Working Medium	Clean Air
Voltage	AC110V / AC220V / DC24V
Diaphragm Life	Over One Million Cycles
Orifice	$\phi 25$
Connection Port	$\phi 35$

Right Angle (DD type) Air Control Pulse Valve



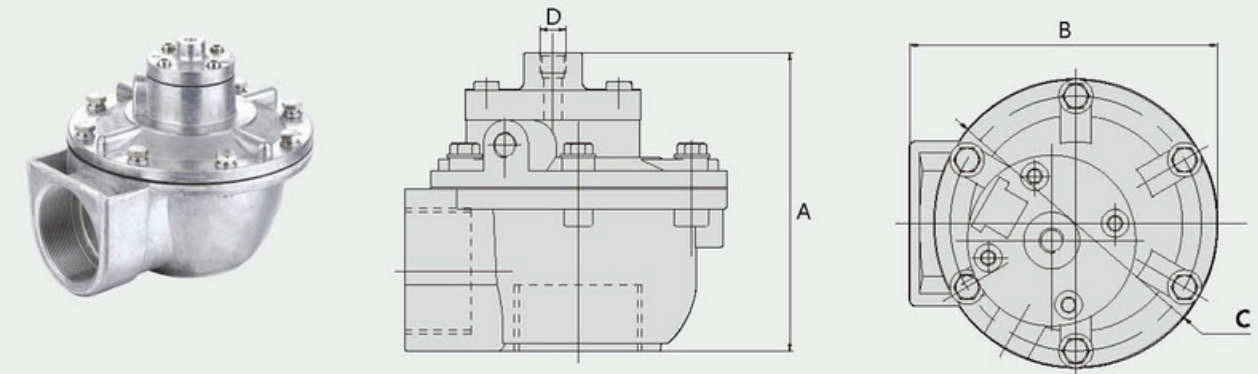
Model	VMRMF-Q-45DD
Working-pressure	0.3 ~ 0.8MPa
Ambient Temperature	-5 ~ 55°C
Relative Humidity	< 85%
Working Medium	Clean Air
Voltage	AC110V / AC220V / DC24V
Diaphragm Life	Over One Million Cycles
Orifice	φ45
Connection Port	φ50

Right Angle Air Control Pulse Valve



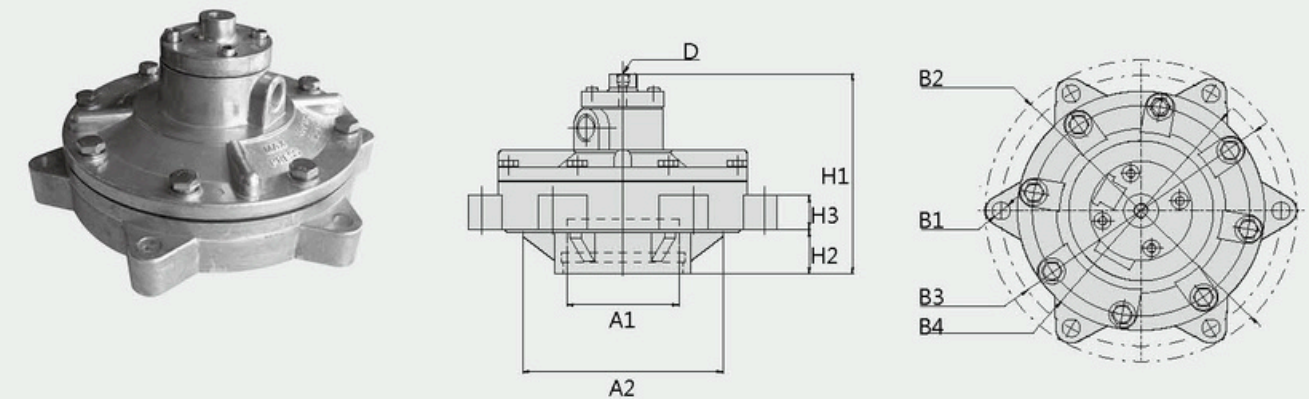
Model	VMRMF-Q-25P	VMRMF-Q-20P
Working-pressure	0.3 ~ 0.8MPa	
Ambient Temperature	-5 ~ 55°C	
Relative Humidity	< 85%	
Working Medium	Clean Air	
Voltage	AC110V / AC220V / DC24V	
Diaphragm Life	Over One Million Cycles	
Orifice	φ25	φ20
Connection Port	G1"	G3/4"

Right Angle Air Control Pulse Valve



Model	A	B	C	D
VMRMF-ZQ-45P	125	138	Φ126	G1/8"
VMRMF-ZQ-50S	153	205	Φ184	G1/8"
VMRMF-ZQ-62S	173	210	Φ185	G1/8"
VMRMF-ZQ-76S	195	230	Φ200	G1/8"

In Line Gas control Pulse valve



Model	A1	A2	B1	B2	B3	B4	H1	H2	H3	D
VMRMF-YQ-50S	Φ62.5	Φ118	6-Φ12	Φ200	Φ180	Φ159	138	30.5	34.5	G1/8"
VMRMF-YQ-62S	Φ76	Φ143.5	6-Φ11.5	Φ230	Φ207	Φ185	148	34	35	
VMRMF-YQ-76S	Φ90	Φ141	6-Φ12	Φ248	Φ277	Φ200	156	34.5	27	

➤ Explosion-proof Pulse Jet Valve

- Ex class: ExmI/II T4
- Using our own Explosion-proof coil, All the solenoid pulse valves can be changed into Ex-proof style
- Voltage & wire length can be made as your request
- When you order Ex-proof solenoid valve, Add "Ex" after model



Parameters

Model	Working pressure	Ambient Temp.	Relative Humidity	Media	Voltage	Power	Orifice	Connection ports	
VMRMF-25DD-EX	0.3 ~ 0.8MPa	-5 ~ 55° C	< 85%	Clean Air	AC110V AC220V DC24V DC12V ± 10%	DC15W	Φ25mm	Φ31mm	
VMRMF-45DD-EX						AC13VA	Φ40mm	Φ50mm	
VMRMF-Z-25J-EX						DC11W	Φ25mm	G1"	
VMRMF-Z-20J-EX						AC13VA	Φ20mm	G3/4"	
VMRMF-Z-20M-EX						DC15W	Φ20mm	G3/4"	
VMRMF-Z-15M-EX						AC13VA	Φ15mm	G1/2"	
VMRMF-Z-20A-EX						DC11W/AC13VA	Φ20mm	G3/4"	
VMRMF-Z-20P-EX						DC15W	Φ20mm	G3/4"	
VMRMF-Z-25P-EX						AC13VA	Φ25mm	G1"	
VMRMF-Z-35P-EX						DC13W/AC23VA	Φ35mm	G1 1/2"	
VMRMF-Z-40S-EX						DC15W/AC13VA	Φ45mm	G1 1/2"	
VMRMF-Z-45P-EX							Φ50mm	G2"	
VMRMF-Z-50S-EX							Φ62mm	G2 1/2"	
VMRMF-Z-62S-EX						DC13W/AC23VA	Φ76mm	G3"	
VMRMF-Z-76S-EX							Φ45mm	G1 1/2"	
VMRMF-Y-40S-EX							DC15W AC13VA	Φ50mm	Φ62.5mm
VMRMF-Y-50S-EX						Φ62mm		Φ76mm	
VMRMF-Y-62S-EX						Φ76mm		Φ90mm	
VMRMF-Y-76S-EX									



➤ Pulse signal controller & parts

Sequential controller is main control part of bag filter system. It controls the on/off of pulse solenoid valves sequentially, so circularly the air runs in the bag and shakes off the dust which adsorbs on bag surface, make the bag keep clean and sufficient air permeability.



Pulse signal controller

PIC-series Pulse Signal Controller



Model	VMPIC-20AL	VMPIC-20DL	VMPIC-28AL	VMPIC-28DL
Input voltage	220VAC±10% 50Hz/60Hz			
Output voltage	220VAC	24VDC	220VAC	24VDC
Output current	1.5A Max			
Pulse width	(1-9999)*0.01sec			
Pulse interval	(1-9999)*1sec			
Cycle interval	(1-9999)*1sec			
Output lines	(1-20)*1line		(1-28)*1line	
Working environment	-10~70°C			
Working humidity	35~90%RH			
Weight	Approx 1.5kg			
Dimension	260mm*180mm*110mm			



All your process control needs

Valvelink Co., Ltd. (VIETNAM)

Address: 399 Nguyen Thi Kieu Street, Tan Thoi Hiep Ward, Ho Chi Minh City, Vietnam

Hotline: +84 933 603 406

WhatsApp: +84 979128773

Email: contact@valvelink.vn / tech@valvelink.vn

Website: valvelink.vn

Valvelink Europe Ent (EUROPE)

Address: Via Roma 108, Cassina de Pecchi, 20060, Milan, Italy

Hotline: +90-2123818702

WhatsApp: +84 979128773 / +84 933 603 406

Email: sales@valvelink.eu

Website: valvelink.eu

Website



WhatsApp



Valvelink Sdn Bhd (ASEAN)

Address: 1-20-02, M-City Ampang, Jalan Ampang, 57450 Kuala Lumpur, Malaysia

Hotline: +60-173700361

WhatsApp: +84 979128773 / +84 933 603 406

Email: sales@valvelink.asia

Website: valvelink.asia

Boon (tianjin) Environment Technology Industry Co.,Ltd. (CHINA)

Address: Unit B, 1F, Building A, No. 5 Ziyang Road, Nankai District, Tianjin, China

Hotline: +84 979128773

WhatsApp: +84 933 603 406

Email: sales@valvelink.asia

Website: valvelink.com.cn