

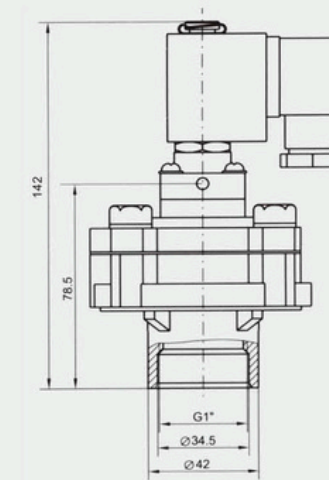
➤ Quick Mount Pulse Solenoid Valve



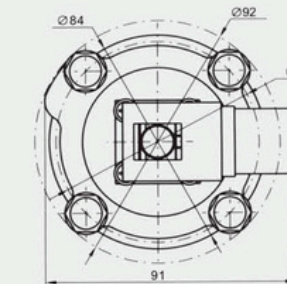
Parameters

Model	Working pressure	Ambient Temp.	Relative Humidity	Media	Voltage	Power	Diaphragm Life	Orifice	Connection ports
VMRMF-Y-25	0.3 ~ 0.8MPa	-5 ~ 55°C	< 85%	Clean Air	AC110V AC220V DC24V ±10%	DC12W/AC15VA	Over one Million cycles	Φ25mm	G1"
VMRMF-Y-40						Φ45mm		G1 1/2"	
VMRMF-Y-50S						Φ50mm		Φ62.5mm	
VMRMF-Y-62S						Φ62mm		Φ76mm	
VMRMF-Y-76S						Φ76mm		Φ86mm	
VMRMF-Y-76S-A1						Φ75mm		Φ88mm	
VMRMF-Y-86S						DC30W/AC28VA		Φ76mm	Φ90mm
					DC20W/AC25VA				

Solenoid Pulse Valve

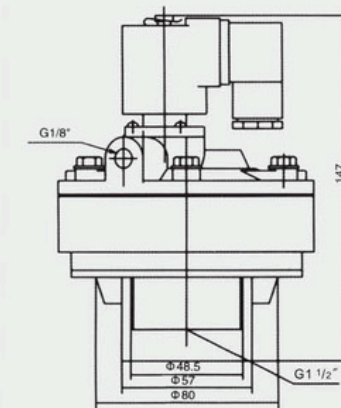


Model	VMRMF-Y-25
Working-pressure	0.3 ~ 0.8MPa
Ambient Temperature	-5 ~ 55°C
Relative Humidity	< 85%
Working Medium	Clean Air
Voltage	AC110V / AC220V / DC24V
Diaphragm Life	Over One Million Cycles
Orifice	φ 25
Connection Port	φ 42

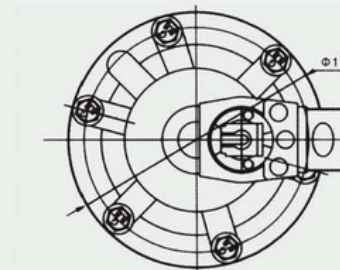


99-100 Solenoid Pulse Valve & Parts

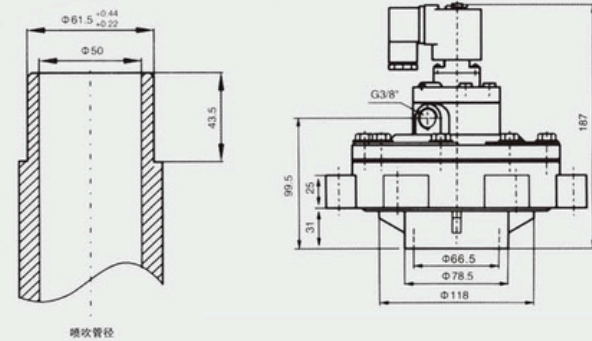
Solenoid Pulse Valve



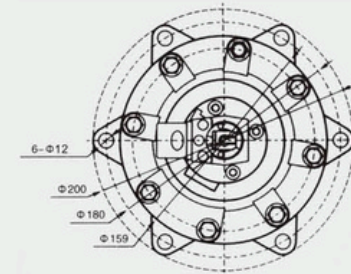
Model	VMRMF-Y-40
Working-pressure	0.3 ~ 0.8MPa
Ambient Temperature	-5 ~ 55°C
Relative Humidity	< 85%
Working Medium	Clean Air
Voltage	AC110V / AC220V / DC24V
Diaphragm Life	Over One Million Cycles
Orifice	φ 45
Connection Port	φ 50



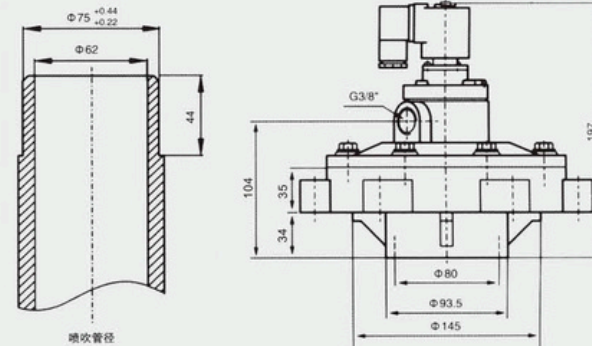
Solenoid Pulse Valve



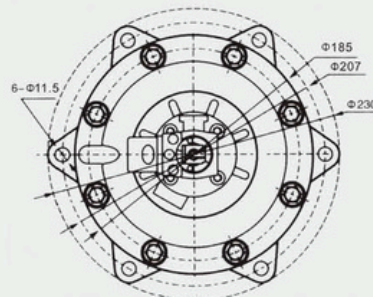
Model	VMRMF-Y-50S
Working-pressure	0.3 ~ 0.8MPa
Ambient Temperature	-5 ~ 55°C
Relative Humidity	< 85%
Working Medium	Clean Air
Voltage	AC110V / AC220V / DC24V
Diaphragm Life	Over One Million Cycles
Orifice	$\phi 50$
Connection Port	$\phi 65$



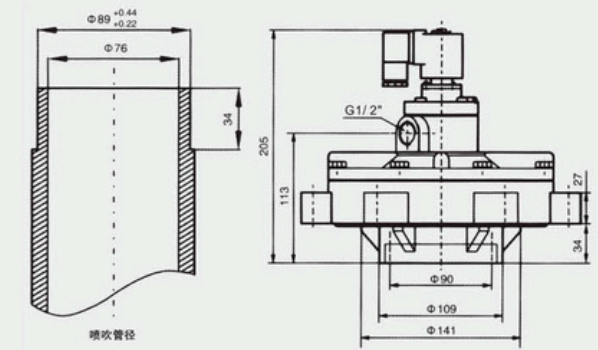
Solenoid Pulse Valve



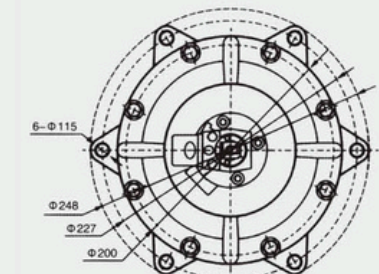
Model	VMRMF-Y-62
Working-pressure	0.3 ~ 0.8MPa
Ambient Temperature	-5 ~ 55°C
Relative Humidity	< 85%
Working Medium	Clean Air
Voltage	AC110V / AC220V / DC24V
Diaphragm Life	Over One Million Cycles
Orifice	$\phi 62$
Connection Port	$\phi 80$



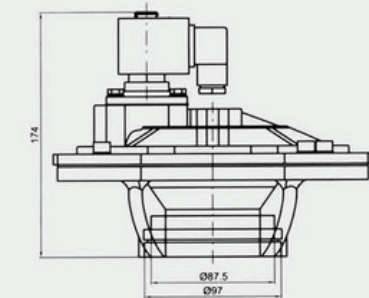
Solenoid Pulse Valve



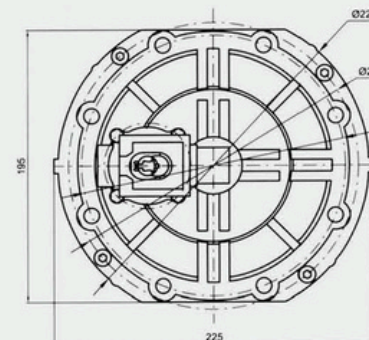
Model	VMRMF-Y-76S
Working-pressure	0.3 ~ 0.8MPa
Ambient Temperature	-5 ~ 55°C
Relative Humidity	< 85%
Working Medium	Clean Air
Voltage	AC110V / AC220V / DC24V
Diaphragm Life	Over One Million Cycles
Orifice	$\phi 76$
Connection Port	$\phi 90$



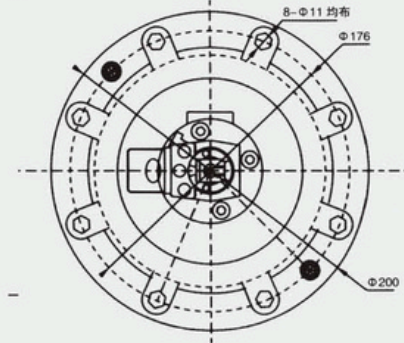
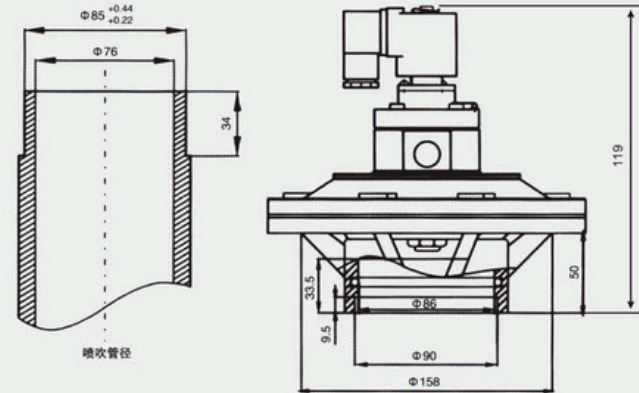
Solenoid Pulse Valve



Model	VMRMF-Y-76S-A1
Working-pressure	0.3 ~ 0.8MPa
Ambient Temperature	-5 ~ 55°C
Relative Humidity	< 85%
Working Medium	Clean Air
Voltage	AC110V / AC220V / DC24V
Diaphragm Life	Over One Million Cycles
Orifice	$\phi 76$
Connection Port	$\phi 89$



Solenoid Pulse Valve



Model	VMRMF-Y-86S
Working-pressure	0.3 ~ 0.8MPa
Ambient Temperature	-5 ~ 55°C
Relative Humidity	< 85%
Working Medium	Clean Air
Voltage	AC110V / AC220V / DC24V
Diaphragm Life	Over One Million Cycles
Orifice	φ80
Connection Port	φ90



Valvelink Co., Ltd. (VIETNAM)

Address: 399 Nguyen Thi Kieu Street, Tan Thoi Hiep Ward, Ho Chi Minh City, Vietnam
 Hotline: +84 933 603 406
 WhatsApp: +84 979128773
 Email: contact@valvelink.vn / tech@valvelink.vn
 Website: valvelink.vn

Valvelink Europe Ent (EUROPE)

Address: Via Roma 108, Cassina de Pecchi, 20060, Milan, Italy
 Hotline: +90-2123818702
 WhatsApp: +84 979128773 / +84 933 603 406
 Email: sales@valvelink.eu
 Website: valvelink.eu

Website



WhatsApp



Valvelink Sdn Bhd (ASEAN)

Address: 1-20-02, M-City Ampang, Jalan Ampang, 57450 Kuala Lumpur, Malaysia
 Hotline: +60-173700361
 WhatsApp: +84 979128773 / +84 933 603 406
 Email: sales@valvelink.asia
 Website: valvelink.asia

Boon (tianjin) Environment Technology Industry Co.,Ltd. (CHINA)

Address: Unit B, 1F, Building A, No. 5 Ziyang Road, Nankai District, Tianjin, China
 Hotline: +84 979128773
 WhatsApp: +84 933 603 406
 Email: sales@valvelink.asia
 Website: valvelink.com.cn