

## ➤ Float Type Drain Valve

# VMRD50016-15G

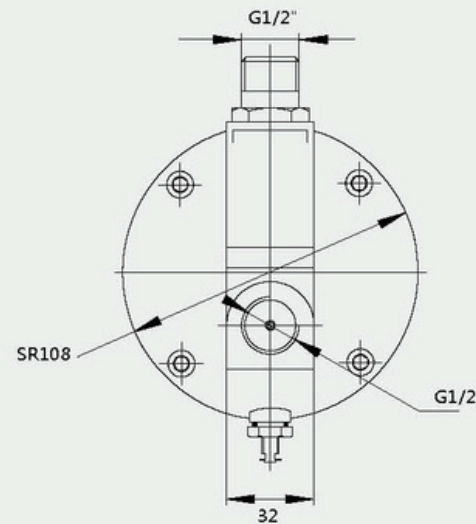
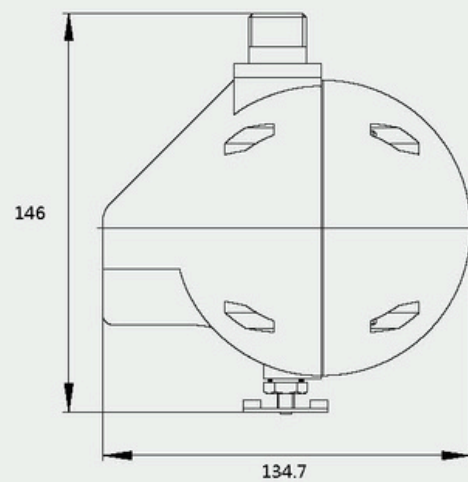
Automatic Discharge, without human management and other functions

### Parameters

Connection ports	G1/2"
Seal material	NBR
Media	Water
Working pressure	0~16bar
Working temp.	-10°C ~ 80°C
Working type	Leverage and Buoyancy type
Max. pressure	20bar
Valve body material	Aluminum

#### Feature

- 1、 Automatic Discharge, without human management and other functions
- 2、 When the water reaches a certain volume, Under the leverage and buoyancy Principle, discharge the water automatically
- 3、 Overall ball type design, save the installation space
- 4、 Directly Install on the inlet pipe , no need to install bolts



### Valvelink Co., Ltd. (VIETNAM)

Address: 399 Nguyen Thi Kieu Street, Tan Thoi Hiep Ward, Ho Chi Minh City, Vietnam  
 Hotline: +84 933 603 406  
 WhatsApp: +84 979128773  
 Email: contact@valvelink.vn / tech@valvelink.vn  
 Website: valvelink.vn

### Valvelink Europe Ent (EUROPE)

Address: Via Roma 108, Cassina de Pecchi, 20060, Milan, Italy  
 Hotline: +90-2123818702  
 WhatsApp: +84 979128773 / +84 933 603 406  
 Email: sales@valvelink.eu  
 Website: valvelink.eu

Website



WhatsApp



### Valvelink Sdn Bhd (ASEAN)

Address: 1-20-02, M-City Ampang, Jalan Ampang, 57450 Kuala Lumpur, Malaysia  
 Hotline: +60-173700361  
 WhatsApp: +84 979128773 / +84 933 603 406  
 Email: sales@valvelink.asia  
 Website: valvelink.asia

### Boon (tianjin) Environment Technology Industry Co.,Ltd. (CHINA)

Address: Unit B, 1F, Building A, No. 5 Ziyang Road, Nankai District, Tianjin, China  
 Hotline: +84 979128773  
 WhatsApp: +84 933 603 406  
 Email: sales@valvelink.asia  
 Website: valvelink.com.cn