

> CS Automatic Drain valve

VMCS

Fully automatic, maintenance-free Timer control drain valve



Ordering Code

| | | | | | |
|-------------|---|-------------|----------------------------------|---|-----------|
| VMCS | - | 720 | | - | |
| RFS product | | Series code | | | Port size |
| | | 720 | | | 01 1/8" |
| | | 3800 | | | 02 1/4" |
| | | 728A | | | 03 3/8" |
| | | 711 | | | 04 1/2" |
| | | | Material code | | |
| | | | Blank brass | | |
| | | | S Stainless steel | | |
| | | | W Without Timer | | |
| | | | WS Stainless steel without timer | | |

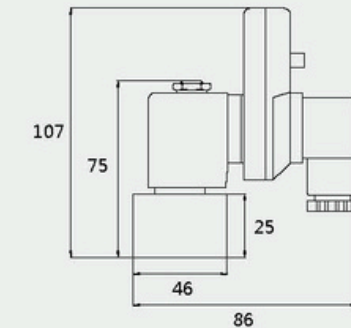
Speciality

- Conforming to CE standard
- Fully automatic, maintenance-free
- Suitable for automatic discharge of condense water in many occasions and automatic irrigation system
- Different voltage and port size are available for selection
- Interval and working time can be adjustable
- Without manual testing switch
- ABS flame-proof house, can reach IP65 class after right installed
- Applicable to a wide range of temperature
- Direct-acting, big orifice, to avoid blockade
- With filter ball valve, Port size and manual switch Can do any changes,easy to install and maintain

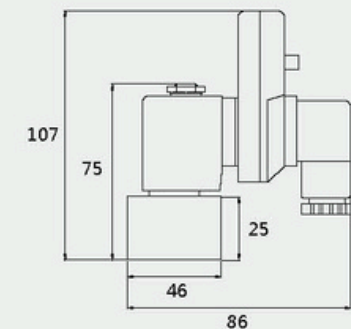
Parameters

| Model | VMCS-720 | VMCS-3800 | VMCS-711 |
|--------------------------------------|------------------------------|----------------------|----------------|
| Valve Style | 2/2 Direct action | | |
| Connection ports | 1/8" 1/4" 3/8" 1/2" Female | | 1/8" 1/4" |
| Working pressure | 16bar 40bar 80bar | | 16bar |
| On/off time | On 0.5~10s | On 1s ~ 99h59min59s | On 2s |
| | Off 0.5~45min | Off 1s ~ 99h59min59s | Off 0.5~120min |
| Working temp. | -20°C ~60°C | | |
| Highest Media Temperature | 160°C | | |
| Valve Body | Brass / Stainless steel | | |
| Orifice | 1.9mm 2.5mm 4.5mm | | 2mm |
| Protection class Insulation class | F/H class IP65 (with plug) | | |
| Voltage | 24~240V DC/AC 50/60z±10% | | |
| Power | AC22VA/DC20W | | AC 8VA,DC 8W |
| Mounting | Any place | | |

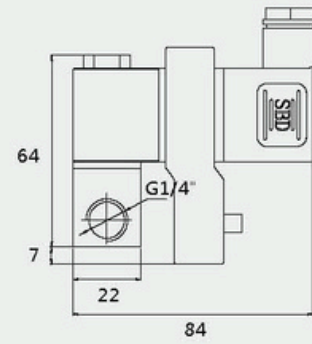
VMCS-720



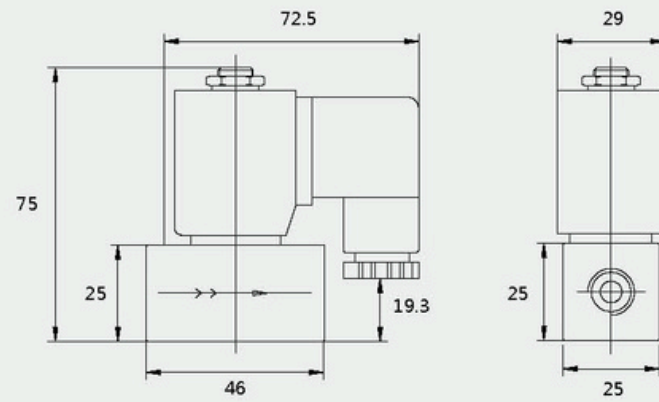
VMCS-3800



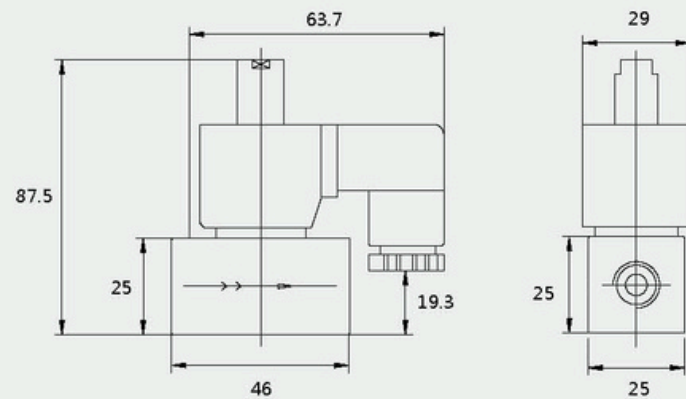
VMCS-711



VMCS-720W



VMCS-720W-CK



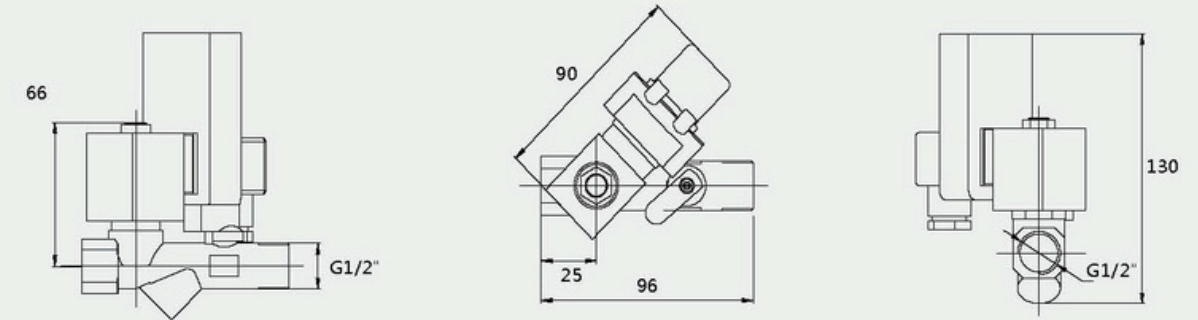
VMCS-728A



Combine filter ball valve and Timer control drain valve together

Parameters

| | |
|---------------------|-------------------|
| Orifice | 3.5mm |
| Pattern | Normally close |
| Rated voltage | AC/DC24~240V ±10% |
| Power | AC22VA/DC20W |
| Working pressure | 0~16Bar |
| Working temp. | 0°C ~ 80°C |
| Valve body material | Brass |
| Seal material | NBR / VITON |





All your process control needs

Valvelink Co., Ltd. (VIETNAM)

Address: 399 Nguyen Thi Kieu Street, Tan Thoi Hiep Ward, Ho Chi Minh City, Vietnam

Hotline: +84 933 603 406

WhatsApp: +84 979128773

Email: contact@valvelink.vn / tech@valvelink.vn

Website: valvelink.vn

Valvelink Europe Ent (EUROPE)

Address: Via Roma 108, Cassina de Pecchi, 20060, Milan, Italy

Hotline: +90-2123818702

WhatsApp: +84 979128773 / +84 933 603 406

Email: sales@valvelink.eu

Website: valvelink.eu

Website



WhatsApp



Valvelink Sdn Bhd (ASEAN)

Address: 1-20-02, M-City Ampang, Jalan Ampang, 57450 Kuala Lumpur, Malaysia

Hotline: +60-173700361

WhatsApp: +84 979128773 / +84 933 603 406

Email: sales@valvelink.asia

Website: valvelink.asia

Boon (tianjin) Environment Technology Industry Co.,Ltd. (CHINA)

Address: Unit B, 1F, Building A, No. 5 Ziyang Road, Nankai District, Tianjin, China

Hotline: +84 979128773

WhatsApp: +84 933 603 406

Email: sales@valvelink.asia

Website: valvelink.com.cn