



Model number VD671F-16P

Design standard GB/T12238-89, ASME B16.34

Applicable temperature -20~+150°C

Air source pressure 0.4~0.75Mpa

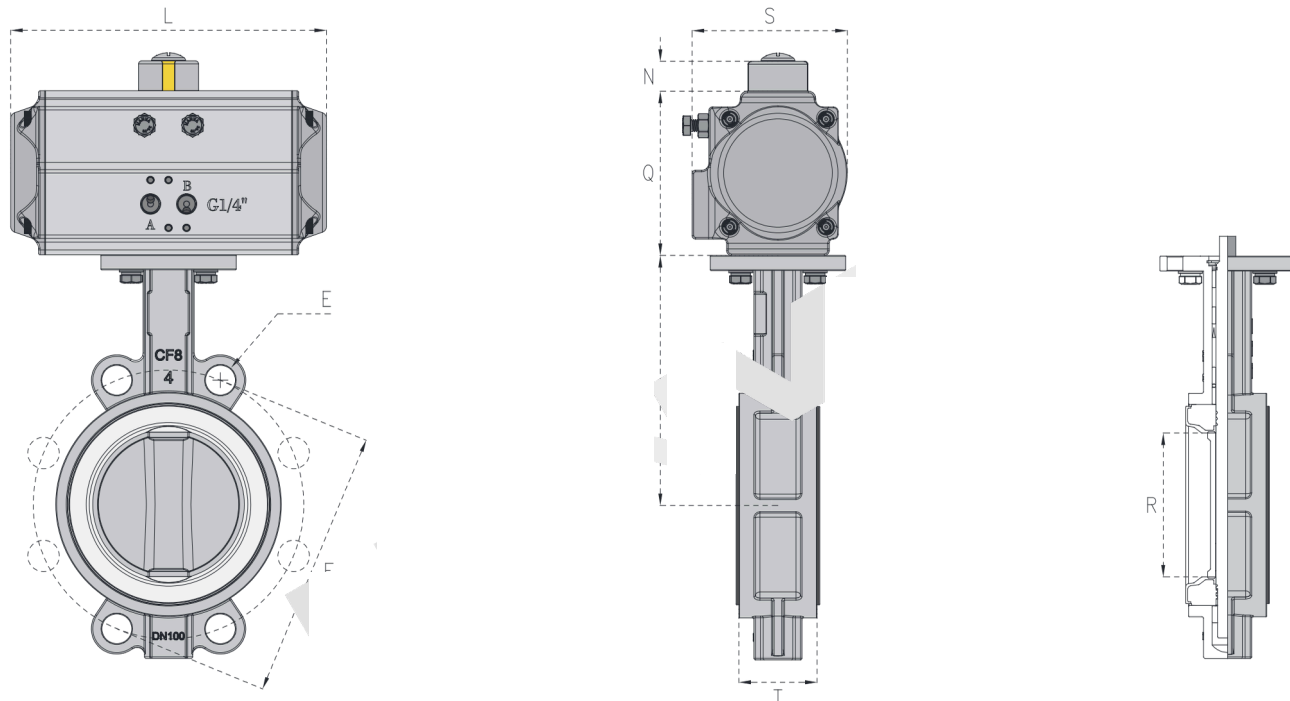
Connection form Flange

Connection standard GB/T17241.6

Test pressure 1.76Mpa (Watertight seal) / 0.6Mpa (air-tight seal)

Structural characteristics

### Shape and connection size



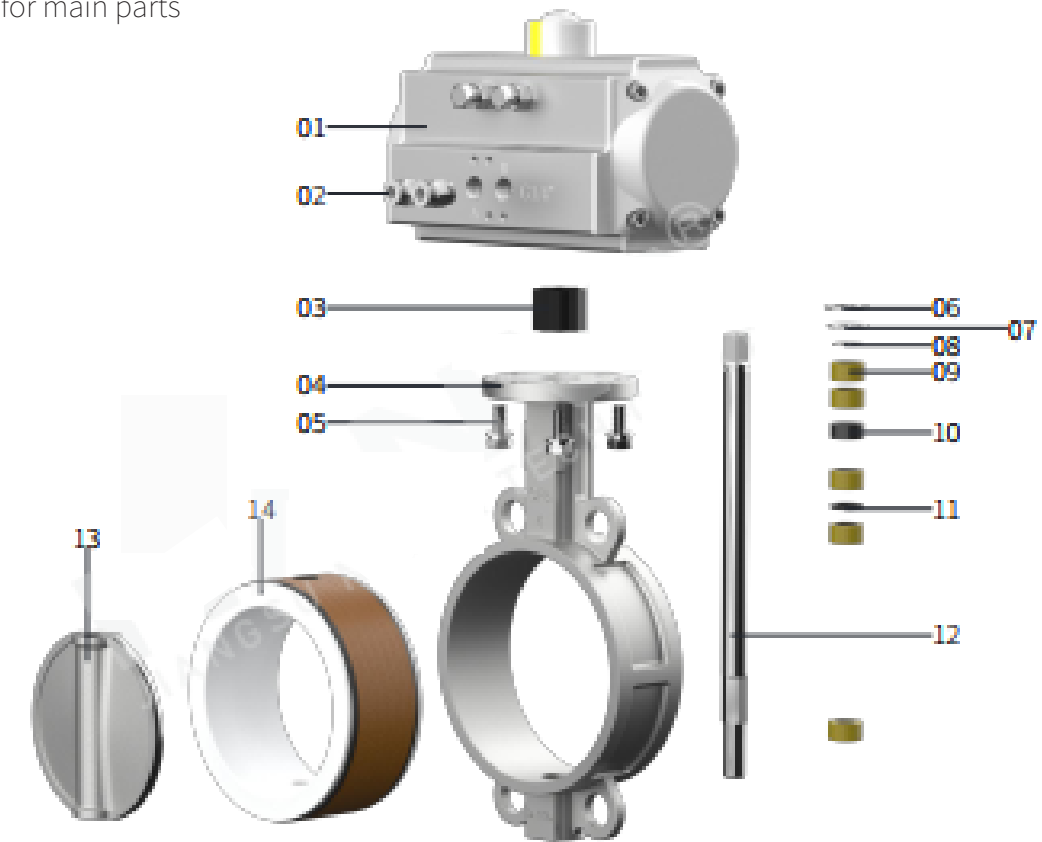
specification	Actuator type matching	dimensioning code			pressure: 1.6mpa			unit: mm		
		L	T	S	N	Q	H	E	F	R
DN40	AT52	147	41	71.5	20	72	136	4×Φ18	1 1 0	42.6
DN50	AT52	147	41	71.5	20	72	136	4×Φ18	1 2 5	52.9
DN65	AT63	168	44	83	20	88	144	4×Φ18	1 4 5	64.5
DN80	AT75	184	44	95	20	99.5	151	8×Φ18	1 6 0	78.8
DN100	AT83	212	51	103	20	108.7	167	8×Φ18	1 8 0	104
DN125	AT92	262	54	108.5	20	116.5	185	8×Φ18	2 1 0	123.3
DN150	AT105	268	54	121.5	20	133	209	8×Φ22	2 4 0	155.6

Actuator matching is for reference only, please contact the manufacturer for more diameters sizes or other sizes.

specification	Actuator type matching	dimensioning code			pressure: 1.6mpa			unit: mm		
		L	T	S	N	Q	H	E	F	R
DN200	AT125	301	59	142	30	155	235	12×Φ22	295	202.5
DN250	AT140	390	65	152	30	172	272	12×Φ26	355	250.5
DN300	AT160	458	76	174	30	197	302	12×Φ26	410	301.6

Actuator matching is for reference only, please contact the

### Materials for main parts



ID	Quantity	Part name Main material
01	1	Pneumatic actuator Pack alloy
02	2	Air connection Copper plating
03	0/1	Octagonal bushing Powder metallurgy
04	1	Valve body SUS304
05	4	Combination screw SUS304
06	1	Valve body circlip 20Cr13
07	1	Metal gasket SUS304

ID	Quantity	Part name Main material
08	1	Valve shaft circlip 20Cr13
09	4~8	Bearing Wear-resistant material
10	1~4	V-shaped sealing ring EPDM / NBR
11	1	O-ring EPDM / NBR
12	1	Valve shaft 20Cr13
13	1	Valve plate SUS304
14	1	Valve seal PTFE+VITON